



**Mounting Form Table**

**10A up to 50A DC/  
250V up to 1000V DC**

**Section**

<b>Enclosed Switches</b>	<b>A</b>
<b>Base Mounting Switches</b>	<b>B</b>
<b>Front Mounting Switches</b>	<b>C</b>

Sälzer Electric GmbH  
Matthiasstraße 16  
57482 Wenden (Germany)  
[www.saelzer.com](http://www.saelzer.com)

Headquarters:  
Tel. +49 (0) 27 62 / 6 14-110  
Fax +49 (0) 27 62 / 6 14-100  
[sales@salzer.de](mailto:sales@salzer.de)

---

**Originator: Sälzer Electric GmbH · Product Data Management (PDM) · 09306 Rochlitz (Germany)**  
Copyright reserved by Sälzer Electric GmbH. This document replaces all previous issues.  
Valid until a new version is published. Changes and revisions reserved.

# Mounting Form Table



Mtg. forms	Strings	Arc reduction system	Pages
003M1	1	standard arc reduction system	C1-1 (34)
003M1	1	advanced arc reduction system	C1-2 (35)
003M1	2	standard arc reduction system	C1-3 (36)
003M1	2	advanced arc reduction system	C1-4 (37)
003M1	3	standard arc reduction system	C1-5 (38)
003M1	3	advanced arc reduction system	C1-6 (39)
003M1	4	standard arc reduction system	C1-7 (40)
003M1	4	advanced arc reduction system	C1-8 (41)
026M1	1	standard arc reduction system	B1-1 (17)
026M1	1	advanced arc reduction system	B1-2 (18)
026M1	2	standard arc reduction system	B1-5 (21)
026M1	2	advanced arc reduction system	B1-6 (22)
026M1	3	standard arc reduction system	B1-9 (25)
026M1	3	advanced arc reduction system	B1-10 (26)
026M1	4	standard arc reduction system	B1-13 (29)
026M1	4	advanced arc reduction system	B1-14 (30)
026V1	1	standard arc reduction system	B1-3 (19)
026V1	1	advanced arc reduction system	B1-4 (20)
026V1	2	standard arc reduction system	B1-7 (23)
026V1	2	advanced arc reduction system	B1-8 (24)
026V1	3	standard arc reduction system	B1-11 (27)
026V1	3	advanced arc reduction system	B1-12 (28)
026V1	4	standard arc reduction system	B1-15 (31)
026V1	4	advanced arc reduction system	B1-16 (32)
700N1	1	standard arc reduction system	A1-1 (4)
700N1	1	advanced arc reduction system	A1-2 (5)
700N4	1	standard arc reduction system	A1-1 (4)
700N4	1	advanced arc reduction system	A1-2 (5)
710N1	1	standard arc reduction system	A1-3 (6)
710N1	1	advanced arc reduction system	A1-4 (7)
710N4	1	standard arc reduction system	A1-3 (6)
710N4	1	advanced arc reduction system	A1-4 (7)
760N1	2	standard arc reduction system	A1-5 (8)
760N1	2	advanced arc reduction system	A1-6 (9)
760N1	3	standard arc reduction system	A1-9 (12)
760N1	3	advanced arc reduction system	A1-10 (13)
760N4	2	standard arc reduction system	A1-5 (8)
760N4	2	advanced arc reduction system	A1-6 (9)
760N4	3	standard arc reduction system	A1-9 (12)
760N4	3	advanced arc reduction system	A1-10 (13)
761N1	2	standard arc reduction system	A1-5 (8)
761N1	2	advanced arc reduction system	A1-6 (9)
761N1	3	standard arc reduction system	A1-9 (12)
761N1	3	advanced arc reduction system	A1-10 (13)
761N4	2	standard arc reduction system	A1-5 (8)
761N4	2	advanced arc reduction system	A1-6 (9)
761N4	3	standard arc reduction system	A1-9 (12)
761N4	3	advanced arc reduction system	A1-10 (13)
763N1	2	standard arc reduction system	A1-7 (10)
763N1	2	advanced arc reduction system	A1-8 (11)
763N1	3	standard arc reduction system	A1-11 (14)
763N1	3	advanced arc reduction system	A1-12 (15)
763N4	2	standard arc reduction system	A1-7 (10)
763N4	2	advanced arc reduction system	A1-8 (11)
763N4	3	standard arc reduction system	A1-11 (14)
763N4	3	advanced arc reduction system	A1-12 (15)



## Section A

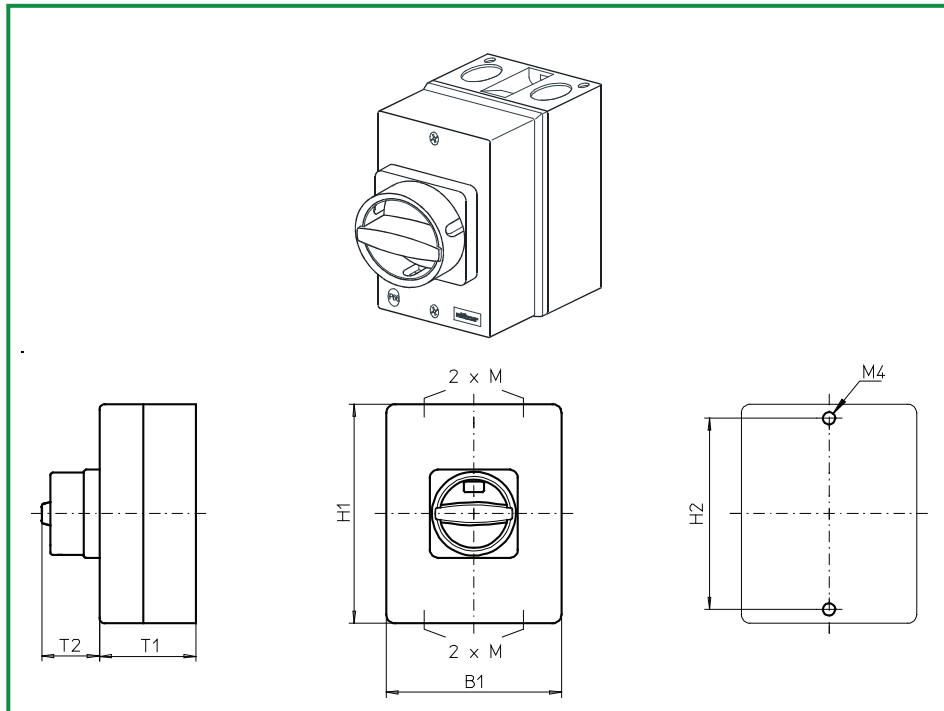
	Page	
	from	to
<b>Insulated enclosures</b>	<b>A1-1</b>	<b>A1-12</b>

---

**Originator: Sälzer Electric GmbH · Product Data Management (PDM) · 09306 Rochlitz (Germany)**  
Copyright reserved by Sälzer Electric GmbH. This document replaces all previous issues.  
Valid until a new version is published. Changes and revisions reserved.

# Enclosed Switches

# sälzer



**Product line D200**

**Enclosed switches**

**Insulated enclosures**

125 x 100 x 85 mm

With cover interlock in ON position

**Cable entries**

4 x M20/M25

**700N1/N4  
(IP66)**

**Complete switch**  
Order code number

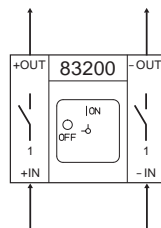
**Terminal capacities**  
solid multiwire  
min max min max

**Voltage range DC21-B**  
250V 450V 650V 800V 1000V

**Standard arc reduction system**

Order code number	solid min	solid max	multiwire min	multiwire max	250V	450V	650V	800V	1000V
D211-83200-700N1/N4	1,00	10,00	0,75	6,00	20A	16A	10A		
D221-83200-700N1/N4	1,00	10,00	0,75	6,00		32A	20A		
D222-83200-700N1/N4	4,00	16,00	2,50	10,00	50A	40A	32A		

**1 string**



**SMD modules for basic switch modules A04**

Mounting form module for 700N1/N4	D200	BFC2 - E7
Enclosure module, mounting form 700N1/N4	D200	PAH2 - 700N1/N4/DC

**Dimensions (mm)**

Product line	H1	B1	T1	T2	2xM	H2
D200-DC – 1 string	125	100	85	33	20/25	115

# Enclosed Switches

**sälzer**

**Product line D200**

**Enclosed switches**

**Insulated enclosures**

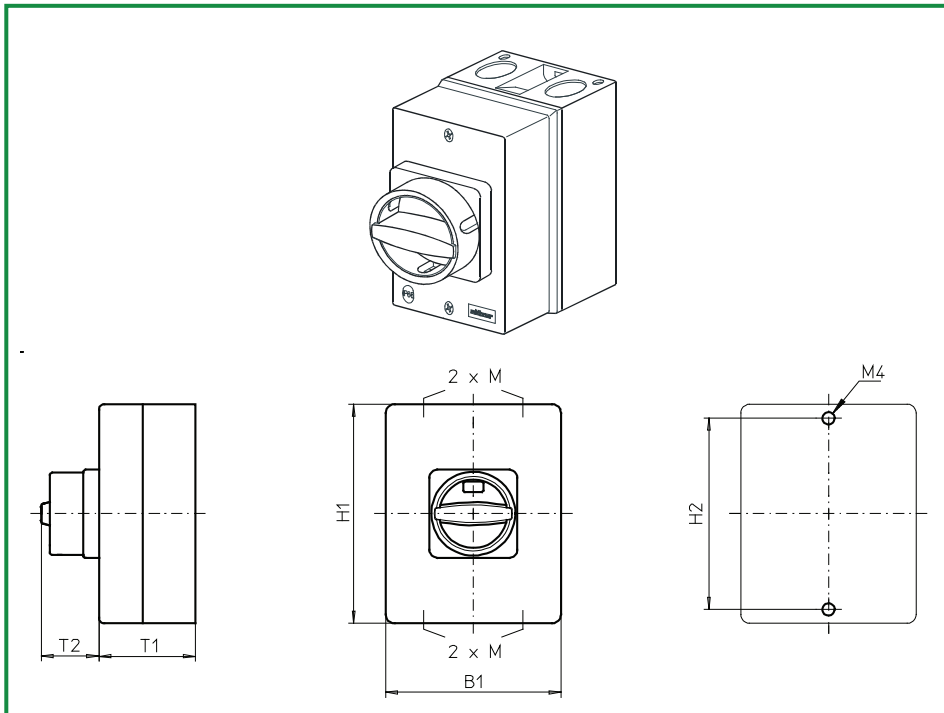
125 × 100 × 85 mm

With cover interlock  
in ON position

**Cable entries**

4 × M20/M25

**700N1/N4  
(IP66)**



**Complete switch**  
Order code number

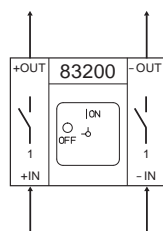
**Terminal capacities**  
solid multiwire  
min max min max

**Voltage range DC21-B**  
250V 450V 650V 800V 1000V

**Advanced arc reduction system**

D241-83200-700N1/N4	1,00	10,00	0,75	6,00		32A	20A
D242-83200-700N1/N4	4,00	16,00	2,50	10,00		50A	20A

**1 string**



**SMD modules for basic switch modules A04**

Mounting form module for 700N1/N4	D200	BFC2 - E7
Enclosure module, mounting form 700N1/N4	D200	PAH2 - 700N1/N4/DC

**Dimensions (mm)**

<b>Product line</b>	<b>H1</b>	<b>B1</b>	<b>T1</b>	<b>T2</b>	<b>2xM</b>	<b>H2</b>
D200-DC – 1 string	125	100	85	33	20/25	115

# Enclosed Switches



**Product line D200**

**Enclosed switches**

**Insulated enclosures**

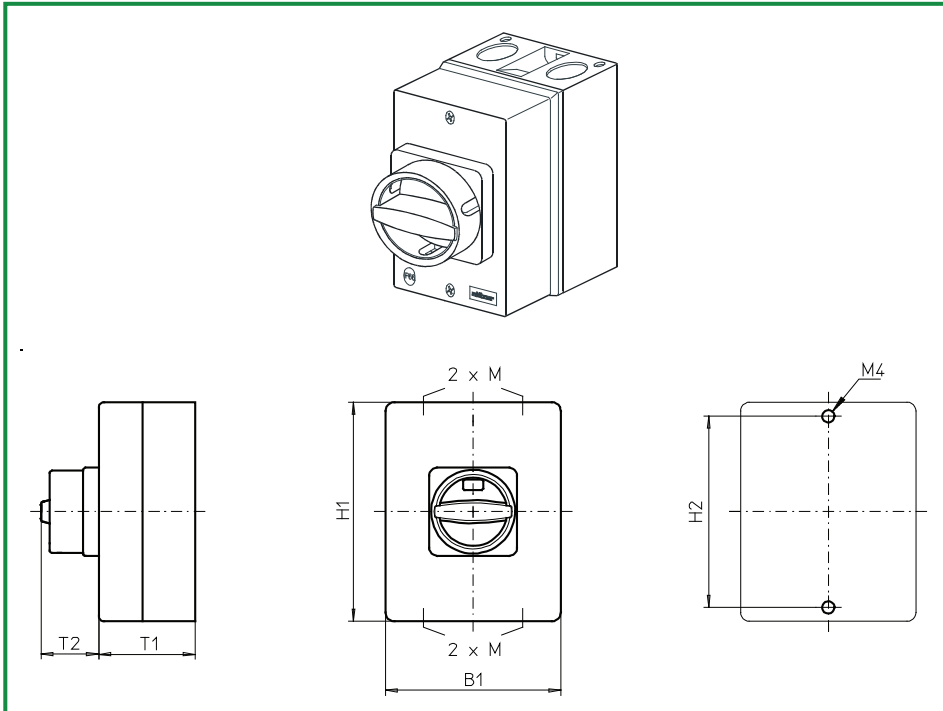
175 x 115 x 100 mm

With cover interlock  
in ON position

**Cable entries**

4 x M20/M25

**710N1/N4**  
**(IP66)**



**Complete switch**  
Order code number

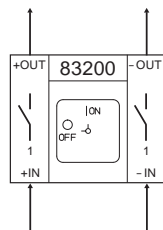
**Terminal capacities**  
solid multiwire  
min max min max

**Voltage range DC21-B**  
250V 450V 650V 800V 1000V

**Standard arc reduction system**

Order code number	solid min	solid max	multiwire min	multiwire max	250V	450V	650V	800V	1000V
D211-83200-710N1/N4	1,00	10,00	0,75	6,00	20A	16A	10A		
D221-83200-710N1/N4	1,00	10,00	0,75	6,00			32A	20A	
D222-83200-710N1/N4	4,00	16,00	2,50	10,00	50A	40A	32A		

**1 string**



**SMD modules for basic switch modules A02**

Mounting form module for 710N1/N4	D200	BFC2 - E7
Enclosure module, mounting form 710N1/N4	D200	PAH2 - 710N1/N4/DC

**Dimensions (mm)**

Product line	H1	B1	T1	T2	2xM	H2
D200-DC – 1 string	175	115	100	33	20/25	165

# Enclosed Switches

# sälzer

**Product line D200**

**Enclosed switches**

**Insulated enclosures**

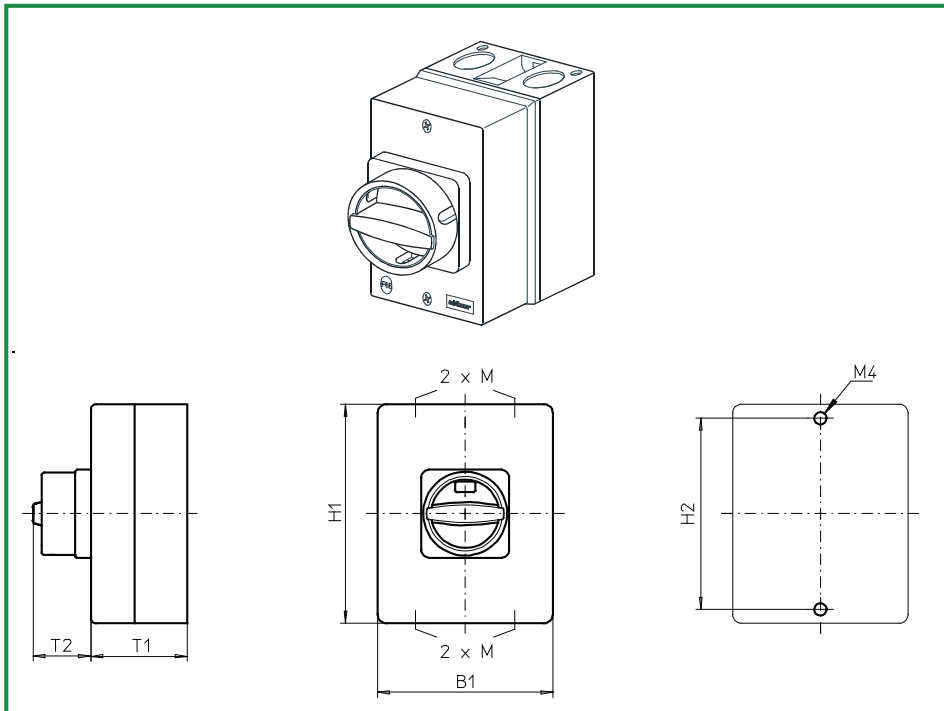
175 × 115 × 100 mm

With cover interlock  
in ON position

**Cable entries**

4 × M20/M25

**710N1/N4  
(IP66)**



**Complete switch**  
Order code number

**Terminal capacities**  
solid multiwire  
min max min max

**Voltage range DC21-B**  
250V 450V 650V 800V 1000V

**Advanced arc reduction system**

D241-83200-710N1/N4	1,00	10,00	0,75	6,00	32A	20A
D242-83200-710N1/N4	4,00	16,00	2,50	10,00	50A	20A
D241-89300-710N1/N4	1,00	10,00	0,75	6,00	32A	32A
D242-89300-710N1/N4	4,00	16,00	2,50	10,00	50A	50A

**1 string**



**SMD modules for basic switch modules A02**

Mounting form module for 710N1/N4	D200	BFC2 - E7
Enclosure module, mounting form 710N1/N4	D200	PAH2 - 710N1/N4/DC

**Dimensions (mm)**

Product line	H1	B1	T1	T2	2xM	H2
D200-DC – 1 string	175	115	100	33	20/25	165

# Enclosed Switches

# sälzer

**Product line D200**

**Enclosed switches**

**Insulated enclosures**

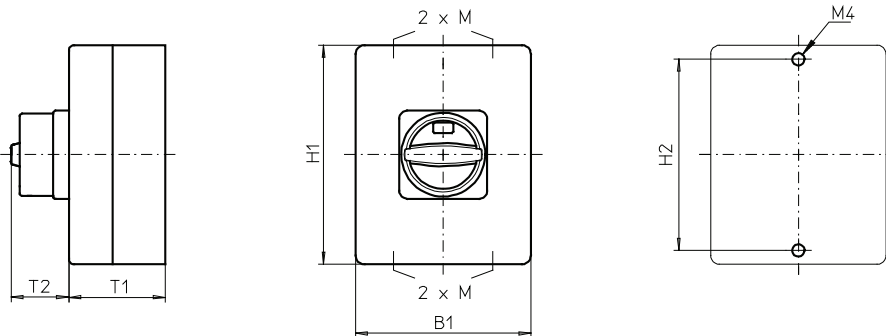
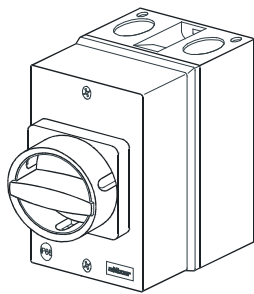
250 × 160 × 120 mm

With cover interlock  
in ON position

**Cable entries**

4 × M25/M32

**760N1/N4 /  
761N1/N4  
(IP66)**



**Complete switch**  
Order code number

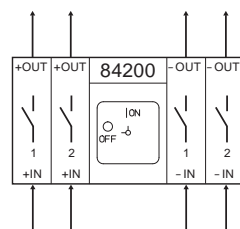
**Terminal capacities**  
solid multiwire  
min max min max

**Voltage range DC21-B**  
250V 450V 650V 800V 1000V

**Standard arc reduction system**

Order code number	solid min	solid max	multiwire min	multiwire max	250V	450V	650V	800V	1000V
D211-84200-760(761)N1/N4	1,00	10,00	0,75	6,00	20A	16A	10A		
D221-84200-760(761)N1/N4	1,00	10,00	0,75	6,00		32A	20A		
D222-84200-760(761)N1/N4	4,00	16,00	2,50	10,00	50A	40A	32A		

**2 strings**



**SMD modules for basic switch modules A02**

Mounting form module for 760/761N1/N4	D200	BFH2 - ED
Enclosure module, mounting form 760N1/N4 Without PE terminal	D200	PAH2 - 760N1/N4/DC
Enclosure module, mounting form 761N1/N4 With PE terminal	D200	PAH2 - 761N1/N4/DC

**Dimensions (mm)**

Product line	H1	B1	T1	T2	2xM	H2
D200-DC – 2 strings	250	160	120	33	25/32	235



# Enclosed Switches

# sälzer

**Product line D200**

**Enclosed switches**

**Insulated enclosures**

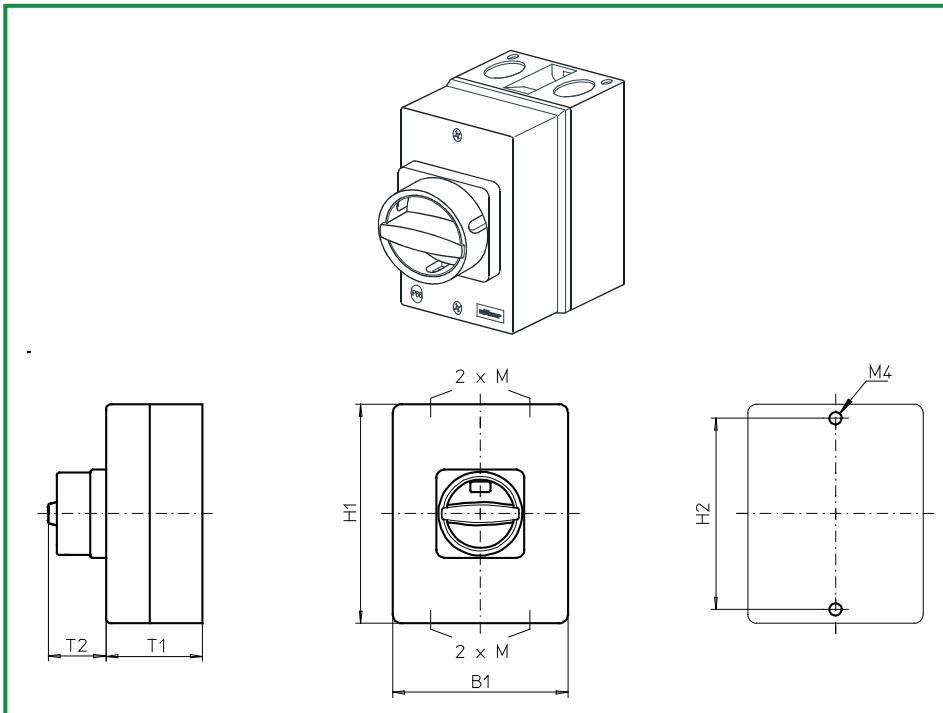
250 × 160 × 120 mm

With cover interlock  
in ON position

**Cable entries**

4 × M25/M32

**760N1/N4 /  
761N1/N4  
(IP66)**



**Complete switch**  
Order code number

**Terminal capacities**  
solid multiwire  
min max min max

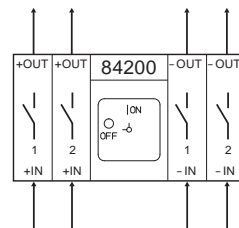
**Voltage range DC21-B**

250V 450V 650V 800V 1000V

**Advanced arc reduction system**

D241-84200-760(761)N1/N4	1,00	10,00	0,75	6,00		32A	20A
D242-84200-760(761)N1/N4	4,00	16,00	2,50	10,00		50A	20A

**2 strings**



**SMD modules for basic switch modules A02**

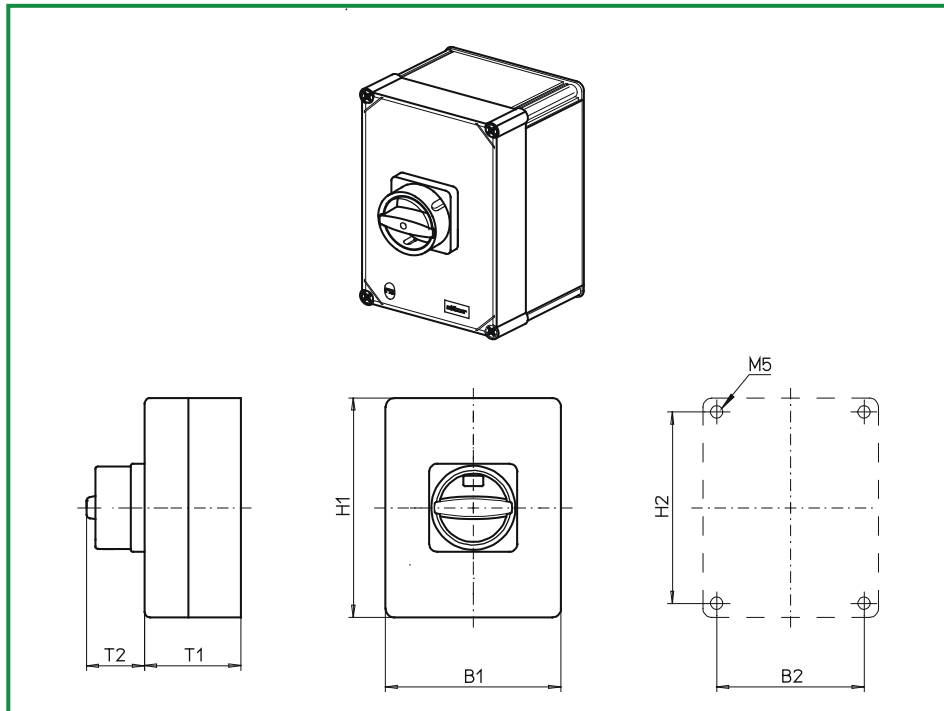
Mounting form module for 760/761N1/N4	D200	BFH2 - ED
Enclosure module, mounting form 760N1/N4 Without PE terminal	D200	PAH2 - 760N1/N4/DC
Enclosure module, mounting form 761N1/N4 With PE terminal	D200	PAH2 - 761N1/N4/DC

**Dimensions (mm)**

<b>Product line</b>	<b>H1</b>	<b>B1</b>	<b>T1</b>	<b>T2</b>	<b>2xM</b>	<b>H2</b>
D200-DC – 2 strings	250	160	120	33	25/32	235

# Enclosed Switches

**sälzer**



**Product line D200**

**Enclosed switches**

**Insulated enclosures**

280 × 190 × 130 mm

With cover interlock  
in ON position

**Cable entries**  
Gland plates

**763N1/N4**  
(IP66)

**Complete switch**  
Order code number

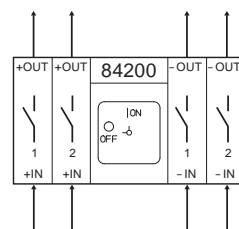
**Terminal capacities**  
solid multiwire  
min max min max

**Voltage range DC21-B**  
250V 450V 650V 800V 1000V

**Standard arc reduction system**

Order code number	solid min	solid max	multiwire min	multiwire max	250V	450V	650V	800V	1000V
D211-84200-763N1/N4	1,00	10,00	0,75	6,00	20A	16A	10A		
D221-84200-763N1/N4	1,00	10,00	0,75	6,00		32A	20A		
D222-84200-763N1/N4	4,00	16,00	2,50	10,00	50A	40A	32A		

**2 strings**



**SMD modules for basic switch modules A02**

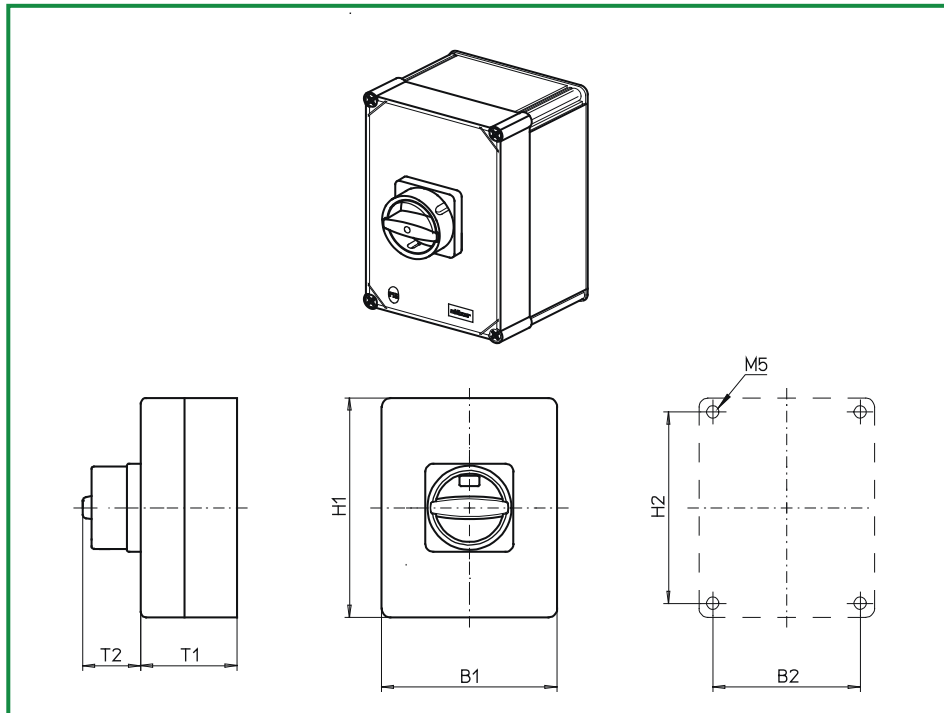
Mounting form module for 763N1/N4	D200	BF12 - ED
Enclosure module, mounting form 763N1/N4 With PE terminal	D200	PAH2 - 763N1/N4/DC

**Dimensions (mm)**

Product line	H1	B1	T1	T2	H2	B2
D200-DC – 2 strings	280	190	130	33	254	164

# Enclosed Switches

# sälzer



**Product line D200**

**Enclosed switches**

**Insulated enclosures**

280 x 190 x 130 mm

With cover interlock  
in ON position

**Cable entries**  
Gland plates

**763N1/N4**  
**(IP66)**

**Complete switch**  
Order code number

**Terminal capacities**  
solid multiwire  
min max min max

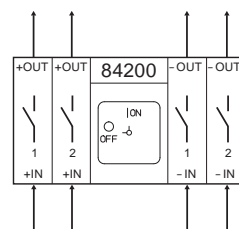
**Voltage range DC21-B**

250V 450V 650V 800V 1000V

**Advanced arc reduction system**

D241-84200-763N1/N4	1,00	10,00	0,75	6,00		32A	20A
D242-84200-763N1/N4	4,00	16,00	2,50	10,00		50A	20A

**2 strings**



**SMD modules for basic switch modules A02**

Mounting form module for 763N1/N4	D200	BF12 - ED
Enclosure module, mounting form 763N1/N4 With PE terminal	D200	PAH2 - 763N1/N4/DC

**Dimensions (mm)**

<b>Product line</b>	<b>H1</b>	<b>B1</b>	<b>T1</b>	<b>T2</b>	<b>H2</b>	<b>B2</b>
D200-DC – 2 strings	280	190	130	33	254	164

# Enclosed Switches

# sälzer

**Product line D200**

**Enclosed switches**

**Insulated enclosures**

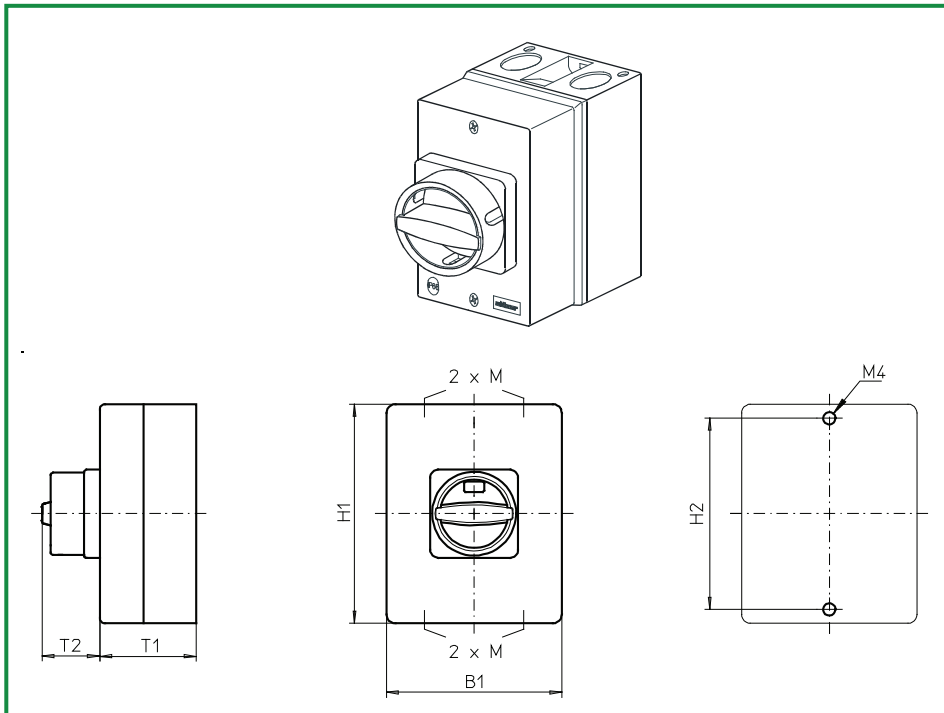
250 × 160 × 120 mm

With cover interlock  
in ON position

**Cable entries**

4 × M25/M32

**760N1/N4 /  
761N1/N4  
(IP66)**



**Complete switch**  
Order code number

**Terminal capacities**  
solid multiwire  
min max min max

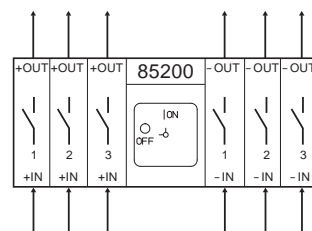
**Voltage range DC21-B**

250V 450V 650V 800V 1000V

**Standard arc reduction system**

D211-85200-760(761)N1/N4	1,00	10,00	0,75	6,00	20A	16A	10A
D221-85200-760(761)N1/N4	1,00	10,00	0,75	6,00		32A	20A
D222-85200-760(761)N1/N4	4,00	16,00	2,50	10,00	50A	40A	32A

**3 strings**



**SMD modules for basic switch modules A02**

Mounting form module for 760/761N1/N4	D200	BFH2 - ED
Enclosure module, mounting form 760N1/N4 Without PE terminal	D200	PAH2 - 760N1/N4/DC
Enclosure module, mounting form 761N1/N4 With PE terminal	D200	PAH2 - 761N1/N4/DC

**Dimensions (mm)**

Product line	H1	B1	T1	T2	2xM	H2
D200-DC – 3 strings	250	160	120	33	25/32	235

# Enclosed Switches

# sälzer

**Product line D200**

**Enclosed switches**

**Insulated enclosures**

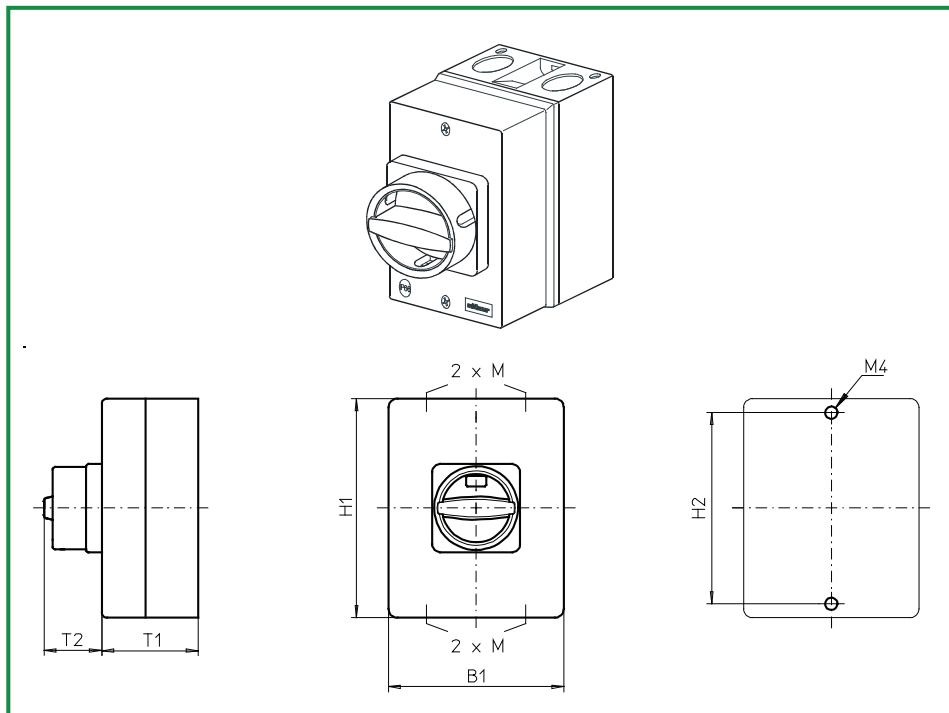
250 × 160 × 120 mm

With cover interlock  
in ON position

**Cable entries**

4 × M25/M32

**760N1/N4 /  
761N1/N4  
(IP66)**



**Complete switch**  
Order code number

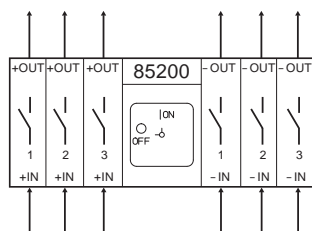
**Terminal capacities**  
solid multiwire  
min max min max

**Voltage range DC21-B**  
250V 450V 650V 800V 1000V

**Advanced arc reduction system**

D241-85200-760(761)N1/N4	1,00	10,00	0,75	6,00		32A	20A
D242-85200-760(761)N1/N4	4,00	16,00	2,50	10,00		50A	20A

**3 strings**



**SMD modules for basic switch modules A02**

Mounting form module for 760/761N1/N4	D200	BFH2 - ED
Enclosure module, mounting form 760N1/N4 Without PE terminal	D200	PAH2 - 760N1/N4/DC
Enclosure module, mounting form 761N1/N4 With PE terminal	D200	PAH2 - 761N1/N4/DC

**Dimensions (mm)**

<b>Product line</b>	<b>H1</b>	<b>B1</b>	<b>T1</b>	<b>T2</b>	<b>2xM</b>	<b>H2</b>
D200-DC – 3 strings	250	160	120	33	25/32	235

# Enclosed Switches



**Product line D200**

**Enclosed switches**

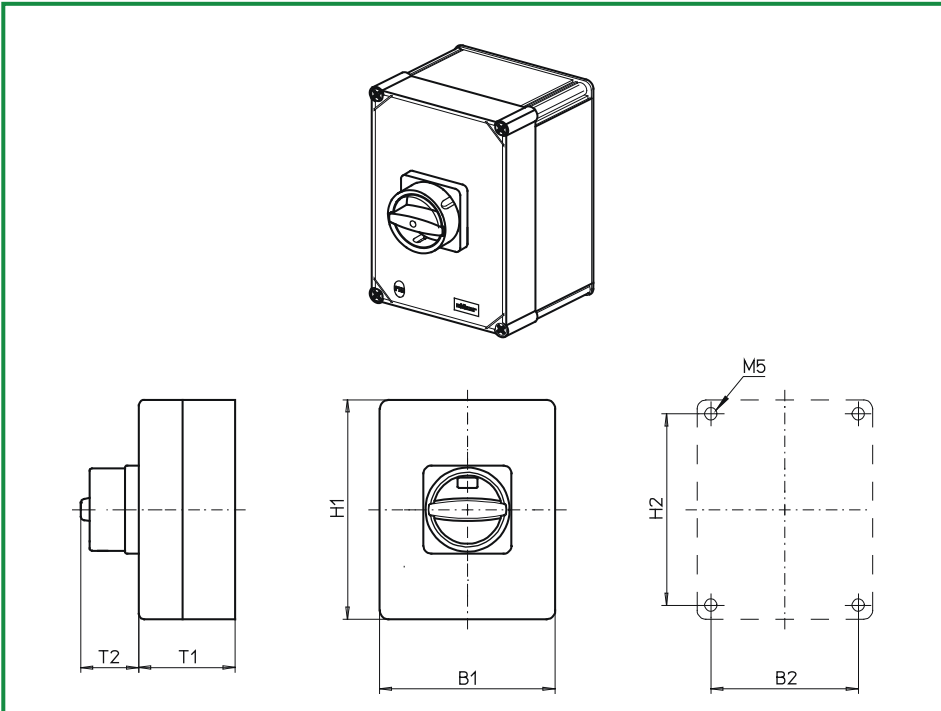
**Insulated enclosures**

280 × 190 × 130 mm

With cover interlock  
in ON position

**Cable entries**  
Gland plates

**763N1/N4**  
(IP66)



**Complete switch**  
Order code number

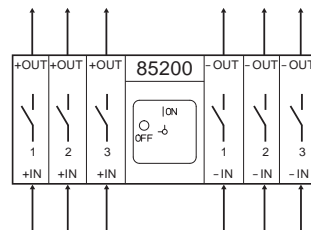
**Terminal capacities**  
solid multiwire  
min max min max

**Voltage range DC21-B**  
250V 450V 650V 800V 1000V

**Standard arc reduction system**

D211-85200-763N1/N4	1,00	10,00	0,75	6,00	20A	16A	10A
D221-85200-763N1/N4	1,00	10,00	0,75	6,00		32A	20A
D222-85200-763N1/N4	4,00	16,00	2,50	10,00	50A	40A	32A

**3 strings**



**SMD modules for basic switch modules A02**

Mounting form module for 763N1/N4	D200	BF12 - ED
Enclosure module, mounting form 763N1/N4 With PE terminal	D200	PAH2 - 763N1/N4/DC

**Dimensions (mm)**

Product line	H1	B1	T1	T2	H2	B2
D200-DC – 3 strings	280	190	130	33	254	164

# Enclosed Switches



**Product line D200**

**Enclosed switches**

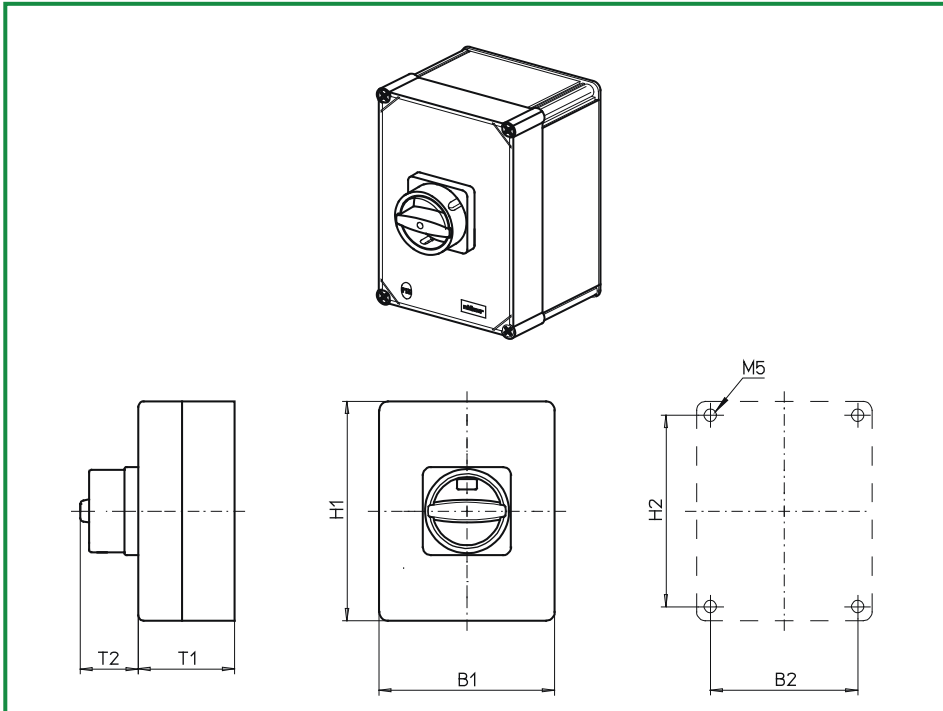
**Insulated enclosures**

280 × 190 × 130 mm

With cover interlock  
in ON position

**Cable entries**  
Gland plates

**763N1/N4**  
(IP66)



**Complete switch**  
Order code number

**Terminal capacities**  
solid multiwire  
min max min max

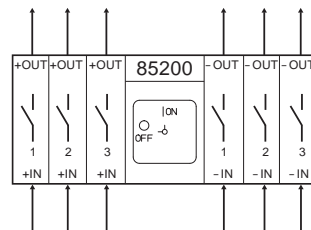
**Voltage range DC21-B**

250V 450V 650V 800V 1000V

**Advanced arc reduction system**

D241-85200-763N1/N4	1,00	10,00	0,75	6,00		32A	20A
D242-85200-763N1/N4	4,00	16,00	2,50	10,00		50A	20A

**3 strings**



**SMD modules for basic switch modules A02**

Mounting form module for 763N1/N4	D200	BF12 - ED
Enclosure module, mounting form 763N1/N4 With PE terminal	D200	PAH2 - 763N1/N4/DC

**Dimensions (mm)**

<b>Product line</b>	<b>H1</b>	<b>B1</b>	<b>T1</b>	<b>T2</b>	<b>H2</b>	<b>B2</b>
D200-DC – 3 strings	280	190	130	33	254	164



## Section B

	Page	
	from	to
<b>DIN rail mounting</b>	<b>B1-1</b>	<b>B1-16</b>

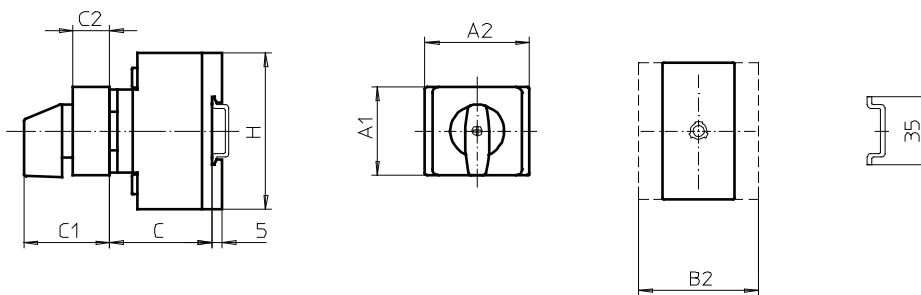
---

**Originator: Sälzer Electric GmbH · Product Data Management (PDM) · 09306 Rochlitz (Germany)**  
Copyright reserved by Sälzer Electric GmbH. This document replaces all previous issues.  
Valid until a new version is published. Changes and revisions reserved.



# Base Mounting Switches

# sälzer



**Product line D200**

**Base mounting switch**

**Base/  
front mounting**

**DIN rail**  
with cover plate  
45 mm aperture

**026M1**

**Complete switch**  
Order code number

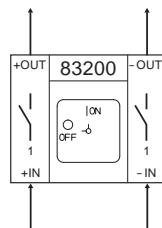
**Terminal capacities**  
solid multiwire  
min max min max

**Voltage range DC21-B**  
250V 450V 650V 800V 1000V

**Standard arc reduction system**

Order code number	solid min	solid max	multiwire min	multiwire max	250V	450V	650V	800V	1000V
D211-83200-026M1	1,00	10,00	0,75	6,00	20A	16A	10A		
D221-83200-026M1	1,00	10,00	0,75	6,00		32A	20A		
D222-83200-026M1	4,00	16,00	2,50	10,00	50A	40A	32A		

**1 string**



**SMD modules for basic switch modules**

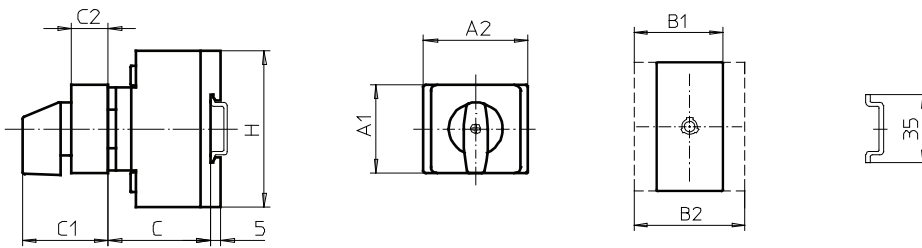
Mounting form module for 026M1	D200	<b>BFG2 - 026M1</b>
Legend plate silver, mounting form 026M1	D200	<b>FAV2 - 9... (FA number)</b>

**Dimensions (mm)**

Product line	A1	A2	B2	C	C1	C2	H
D200-DC – 1 string	45	48	77	42	42	15,5	80

# Base Mounting Switches

**sälzer**



**Product line D200**

**Base mounting switch**

**Base/  
front mounting**

**DIN rail**  
with cover plate  
45 mm aperture

**026M1**

**Complete switch**  
Order code number

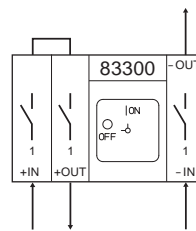
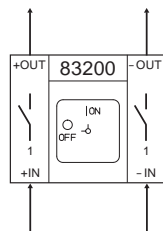
**Terminal capacities**  
solid multiwire  
min max min max

**Voltage range DC21-B**  
250V 450V 650V 800V 1000V

**Advanced arc reduction system**

D241-83200-026M1	1,00	10,00	0,75	6,00			32A	20A
D242-83200-026M1	4,00	16,00	2,50	10,00			50A	20A
D241-83300-026M1	1,00	10,00	0,75	6,00			32A	32A
D242-83300-026M1	4,00	16,00	2,50	10,00			50A	50A

**1 string**



**SMD modules for basic switch modules**

Mounting form module for 026M1	D200	<b>BFG2 - 026M1</b>
Legend plate silver, mounting form 026M1	D200	<b>FAV2 - 9... (FA number)</b>

**Dimensions (mm)**

Product line	A1	A2	B1	B2	C	C1	C2	H
D200-DC – 1 string (83200)	45	48	–	77	42	42	15,5	80
D200-DC – 1 string (83300)	45	48	53	92	42	42	15,5	80

# Base Mounting Switches

**sälzer**

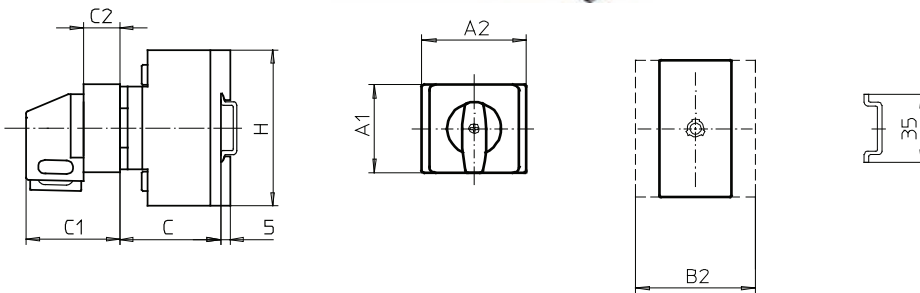
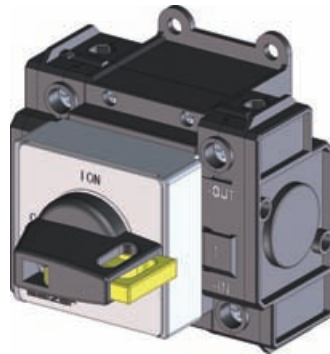
**Product line D200**

**Base mounting switch**

**Base/  
front mounting**

**DIN rail**  
with cover plate  
45 mm aperture

**026V1**



**Complete switch**  
Order code number

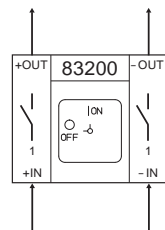
**Terminal capacities**  
solid multiwire  
min max min max

**Voltage range DC21-B**  
250V 450V 650V 800V 1000V

**Standard arc reduction system**

Order code number	solid min	solid max	multiwire min	multiwire max	250V	450V	650V	800V	1000V
D211-83200-026V1	1,00	10,00	0,75	6,00	20A	16A	10A		
D221-83200-026V1	1,00	10,00	0,75	6,00		32A	20A		
D222-83200-026V1	4,00	16,00	2,50	10,00	50A	40A	32A		

**1 string**



**SMD modules for basic switch modules**

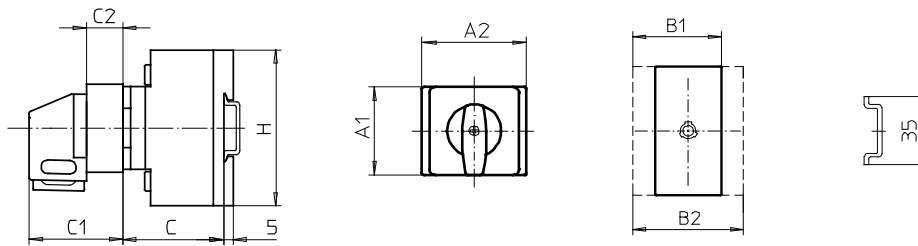
Mounting form module for 026V1	D200	<b>BFG2 - 026V1</b>
Legend plate silver, mounting form 026V1	D200	<b>FAV2 - 9... (FA number)</b>

**Dimensions (mm)**

Product line	A1	A2	B2	C	C1	C2	H
D200-DC – 1 string	45	48	77	42	42	15,5	80

# Base Mounting Switches

# sälzer



**Product line D200**

**Base mounting switch**

**Base/  
front mounting**

**DIN rail**  
with cover plate  
45 mm aperture

**026V1**

**Complete switch**  
Order code number

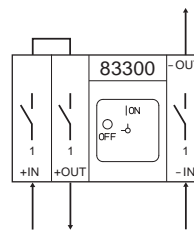
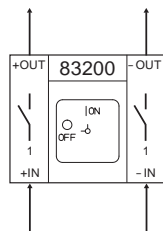
**Terminal capacities**  
solid multiwire  
min max min max

**Voltage range DC21-B**  
250V 450V 650V 800V 1000V

**Advanced arc reduction system**

D241-83200-026V1	1,00	10,00	0,75	6,00			32A	20A
D242-83200-026V1	4,00	16,00	2,50	10,00			50A	20A
D241-83300-026V1	1,00	10,00	0,75	6,00			32A	32A
D242-83300-026V1	4,00	16,00	2,50	10,00			50A	50A

**1 string**



**SMD modules for basic switch modules**

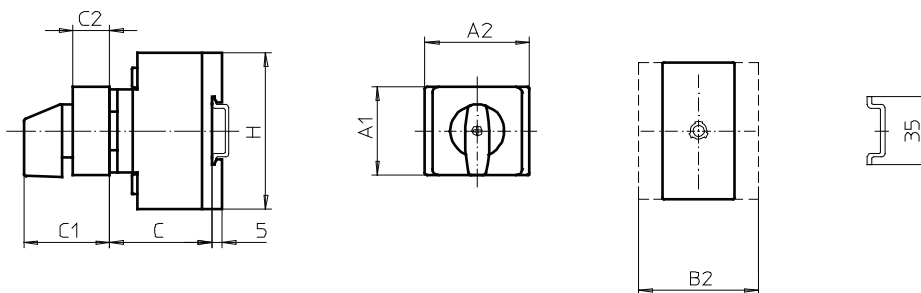
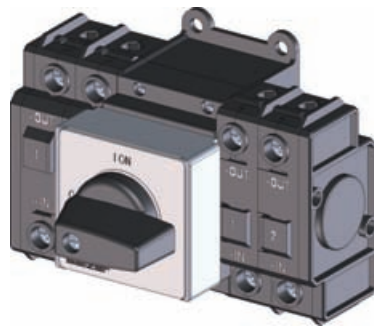
Mounting form module for 026V1	D200	<b>BFG2 - 026V1</b>
Legend plate silver, mounting form 026V1	D200	<b>FAV2 - 9... (FA number)</b>

**Dimensions (mm)**

Product line	A1	A2	B1	B2	C	C1	C2	H
D200-DC – 1 string (83200)	45	48	–	77	42	42	15,5	80
D200-DC – 1 string (83300)	45	48	53	92	42	42	15,5	80

# Base Mounting Switches

**sälzer**



**Product line D200**

**Base mounting switch**

**Base/  
front mounting**

**DIN rail**  
with cover plate  
45 mm aperture

**026M1**

**Complete switch**  
Order code number

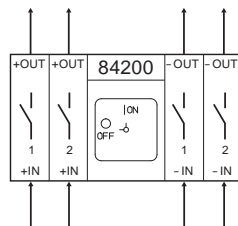
**Terminal capacities**  
solid multiwire  
min max min max

**Voltage range DC21-B**  
250V 450V 650V 800V 1000V

**Standard arc reduction system**

Order code number	solid min	solid max	multiwire min	multiwire max	250V	450V	650V	800V	1000V
D211-84200-026M1	1,00	10,00	0,75	6,00	20A	16A	10A		
D221-84200-026M1	1,00	10,00	0,75	6,00		32A	20A		
D222-84200-026M1	4,00	16,00	2,50	10,00	50A	40A	32A		

**2 strings**



**SMD modules for basic switch modules**

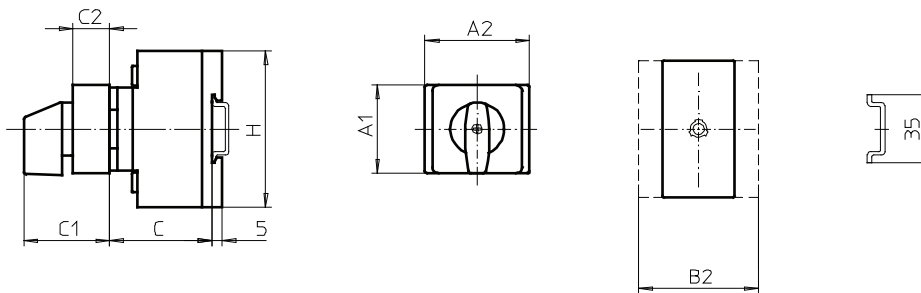
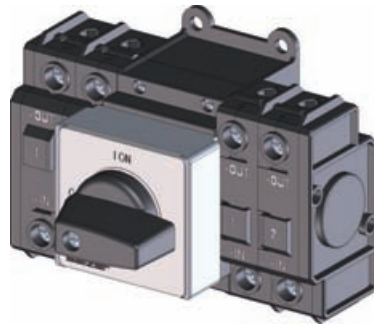
Mounting form module for 026M1	D200	<b>BFG2 - 026M1</b>
Legend plate silver, mounting form 026M1	D200	<b>FAV2 - 9... (FA number)</b>

**Dimensions (mm)**

Product line	A1	A2	B2	C	C1	C2	H
D200-DC – 2 strings	45	48	106	42	42	15,5	80

# Base Mounting Switches

**sälzer**



**Product line D200**

**Base mounting switch**

**Base/  
front mounting**

**DIN rail**  
with cover plate  
45 mm aperture

**026M1**

**Complete switch**  
Order code number

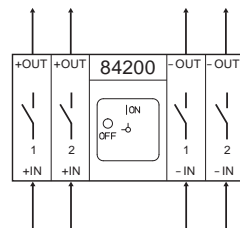
**Terminal capacities**  
solid multiwire  
min max min max

**Voltage range DC21-B**  
250V 450V 650V 800V 1000V

**Advanced arc reduction system**

D241-84200-026M1	1,00	10,00	0,75	6,00		32A	20A
D242-84200-026M1	4,00	16,00	2,50	10,00		50A	20A

**2 strings**



**SMD modules for basic switch modules**

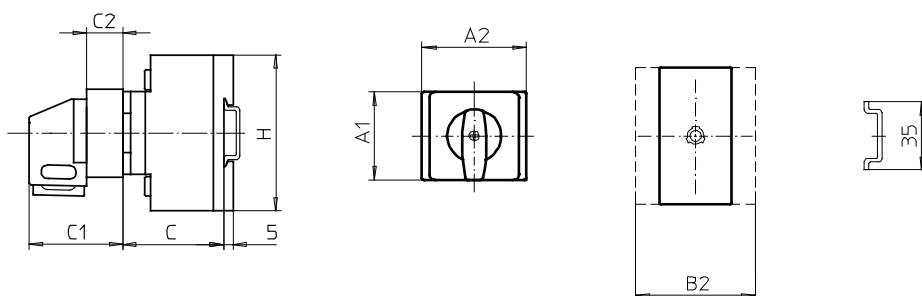
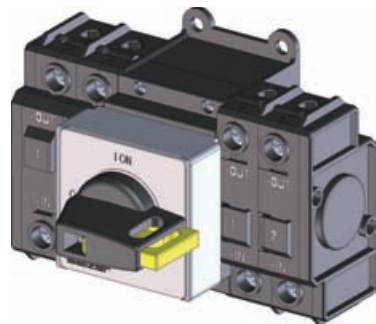
Mounting form module for 026M1	D200	<b>BFG2 - 026M1</b>
Legend plate silver, mounting form 026M1	D200	<b>FAV2 - 9... (FA number)</b>

**Dimensions (mm)**

<b>Product line</b>	<b>A1</b>	<b>A2</b>	<b>B2</b>	<b>C</b>	<b>C1</b>	<b>C2</b>	<b>H</b>
D200-DC – 2 strings	45	48	106	42	42	15,5	80

# Base Mounting Switches

# sälzer



**Product line D200**

**Base mounting switch**

**Base/  
front mounting**

**DIN rail**  
with cover plate  
45 mm aperture

**026V1**

**Complete switch**  
Order code number

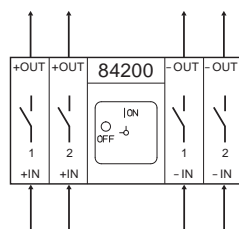
**Terminal capacities**  
solid multiwire  
min max min max

**Voltage range DC21-B**  
250V 450V 650V 800V 1000V

**Standard arc reduction system**

D211-84200-026V1	1,00	10,00	0,75	6,00	20A	16A	10A
D221-84200-026V1	1,00	10,00	0,75	6,00		32A	20A
D222-84200-026V1	4,00	16,00	2,50	10,00	50A	40A	32A

**2 strings**



**SMD modules for basic switch modules**

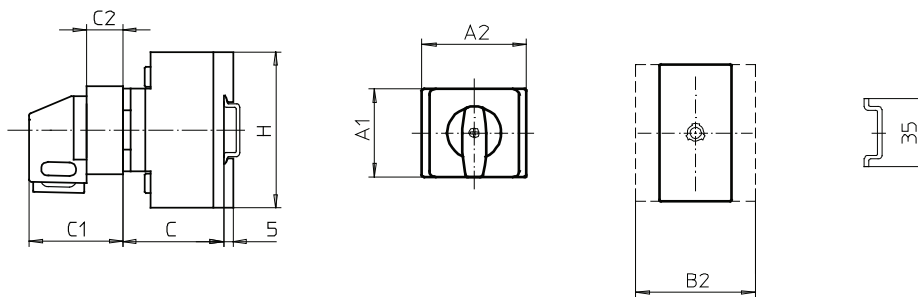
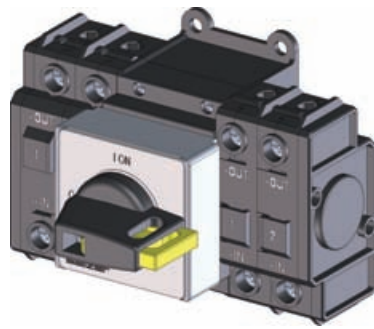
Mounting form module for 026V1	D200	<b>BFG2 - 026V1</b>
Legend plate silver, mounting form 026V1	D200	<b>FAV2 - 9... (FA number)</b>

**Dimensions (mm)**

Product line	A1	A2	B2	C	C1	C2	H
D200-DC – 2 strings	45	48	106	42	42	15,5	80

# Base Mounting Switches

# sälzer



**Product line D200**

**Base mounting switch**

**Base/  
front mounting**

**DIN rail**  
with cover plate  
45 mm aperture

**026V1**

**Complete switch**  
Order code number

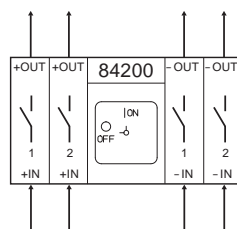
**Terminal capacities**  
solid multiwire  
min max min max

**Voltage range DC21-B**  
250V 450V 650V 800V 1000V

**Advanced arc reduction system**

D241-84200-026V1	1,00	10,00	0,75	6,00		32A	20A
D242-84200-026V1	4,00	16,00	2,50	10,00		50A	20A

**2 strings**



**SMD modules for basic switch modules**

Mounting form module for 026V1	D200	<b>BFG2 - 026V1</b>
Legend plate silver, mounting form 026V1	D200	<b>FAV2 - 9... (FA number)</b>

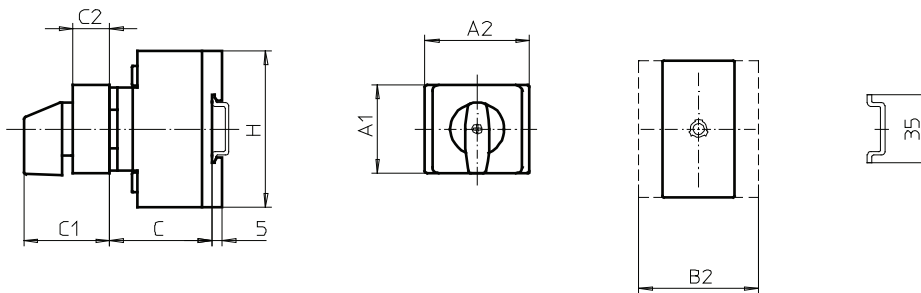
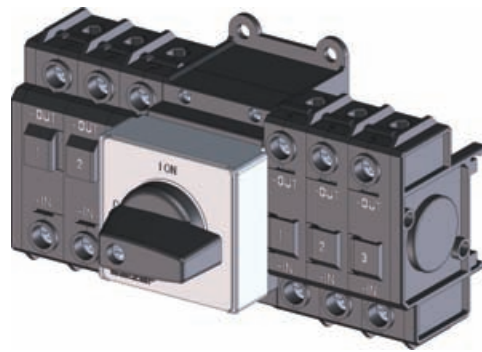
**Dimensions (mm)**

<b>Product line</b>	<b>A1</b>	<b>A2</b>	<b>B2</b>	<b>C</b>	<b>C1</b>	<b>C2</b>	<b>H</b>
D200-DC – 2 strings	45	48	106	42	42	15,5	80



# Base Mounting Switches

**sälzer**



**Product line D200**

**Base mounting switch**

**Base/  
front mounting**

**DIN rail**  
with cover plate  
45 mm aperture

**026M1**

**Complete switch**  
Order code number

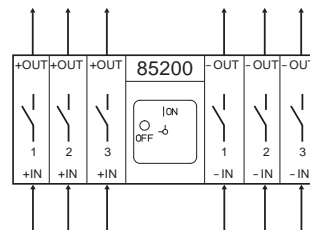
**Terminal capacities**  
solid multiwire  
min max min max

**Voltage range DC21-B**  
250V 450V 650V 800V 1000V

**Standard arc reduction system**

Order code number	solid min	solid max	multiwire min	multiwire max	250V	450V	650V	800V	1000V
D211-85200-026M1	1,00	10,00	0,75	6,00	20A	16A	10A		
D221-85200-026M1	1,00	10,00	0,75	6,00		32A	20A		
D222-85200-026M1	4,00	16,00	2,50	10,00	50A	40A	32A		

**3 strings**



**SMD modules for basic switch modules**

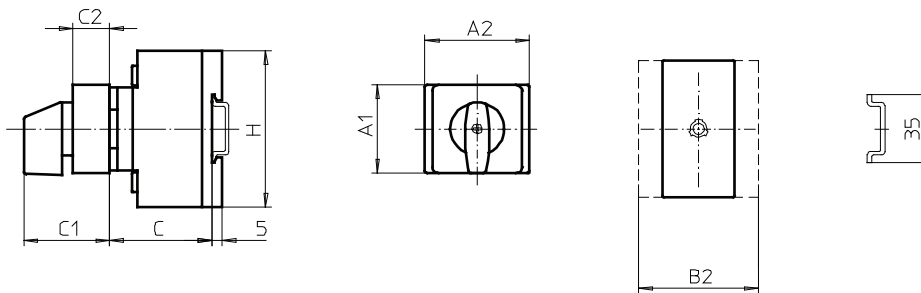
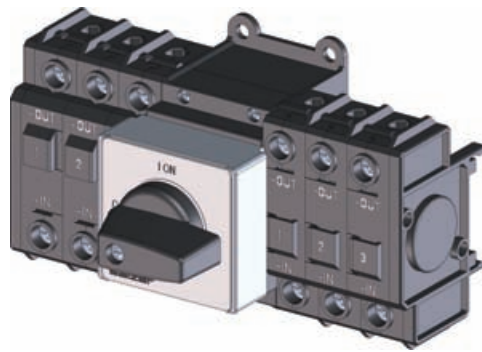
Mounting form module for 026M1	D200	<b>BFG2 - 026M1</b>
Legend plate silver, mounting form 026M1	D200	<b>FAV2 - 9... (FA number)</b>

**Dimensions (mm)**

Product line	A1	A2	B2	C	C1	C2	H
D200-DC – 3 strings	45	48	135	42	42	15,5	80

# Base Mounting Switches

# sälzer



**Product line D200**

**Base mounting switch**

**Base/  
front mounting**

**DIN rail**  
with cover plate  
45 mm aperture

**026M1**

**Complete switch**  
Order code number

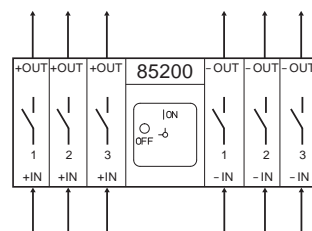
**Terminal capacities**  
solid multiwire  
min max min max

**Voltage range DC21-B**  
250V 450V 650V 800V 1000V

**Advanced arc reduction system**

D241-85200-026M1	1,00	10,00	0,75	6,00		32A	20A
D242-85200-026M1	4,00	16,00	2,50	10,00		50A	20A

**3 strings**



**SMD modules for basic switch modules**

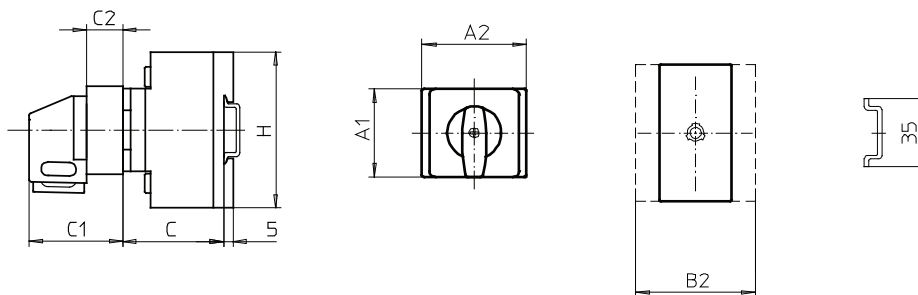
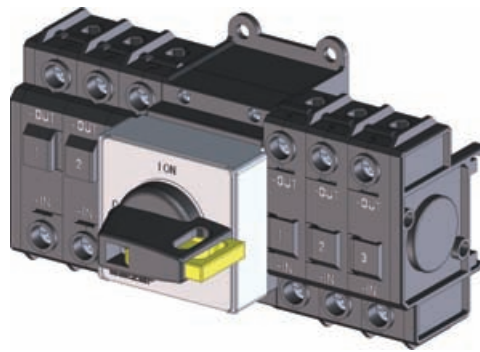
Mounting form module for 026M1	D200	<b>BFG2 - 026M1</b>
Legend plate silver, mounting form 026M1	D200	<b>FAV2 - 9... (FA number)</b>

**Dimensions (mm)**

<b>Product line</b>	<b>A1</b>	<b>A2</b>	<b>B2</b>	<b>C</b>	<b>C1</b>	<b>C2</b>	<b>H</b>
D200-DC – 3 strings	45	48	135	42	42	15,5	80

# Base Mounting Switches

# sälzer



**Product line D200**

**Base mounting switch**

**Base/  
front mounting**

**DIN rail**  
with cover plate  
45 mm aperture

**026V1**

**Complete switch**  
Order code number

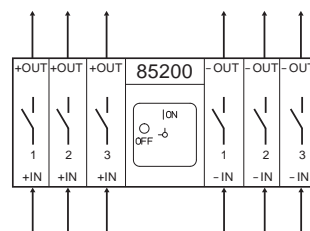
**Terminal capacities**  
solid multiwire  
min max min max

**Voltage range DC21-B**  
250V 450V 650V 800V 1000V

**Standard arc reduction system**

D211-85200-026V1	1,00	10,00	0,75	6,00	20A	16A	10A
D221-85200-026V1	1,00	10,00	0,75	6,00		32A	20A
D222-85200-026V1	4,00	16,00	2,50	10,00	50A	40A	32A

**3 strings**



**SMD modules for basic switch modules**

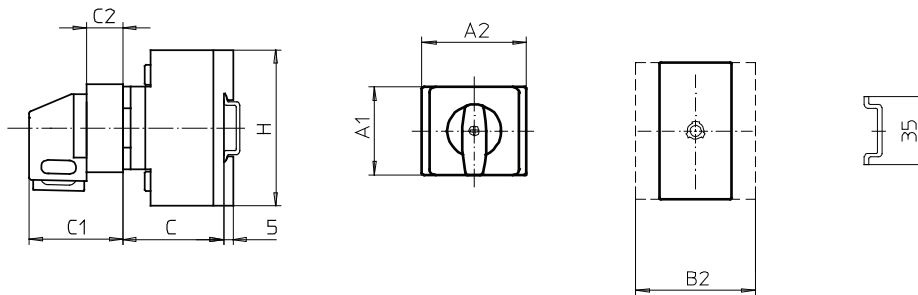
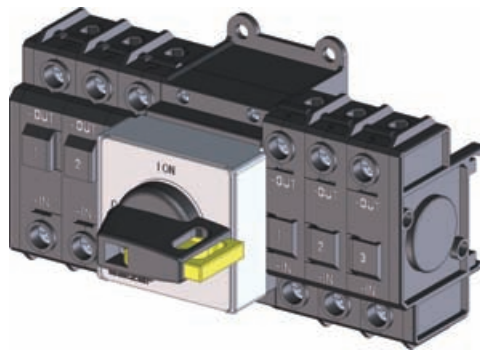
Mounting form module for 026V1	D200	<b>BFG2 - 026V1</b>
Legend plate silver, mounting form 026V1	D200	<b>FAV2 - 9... (FA number)</b>

**Dimensions (mm)**

<b>Product line</b>	<b>A1</b>	<b>A2</b>	<b>B2</b>	<b>C</b>	<b>C1</b>	<b>C2</b>	<b>H</b>
D200-DC – 3 strings	45	48	135	42	42	15,5	80

# Base Mounting Switches

**sälzer**



**Product line D200**

**Base mounting switch**

**Base/  
front mounting**

**DIN rail**  
with cover plate  
45 mm aperture

**026V1**

**Complete switch**  
Order code number

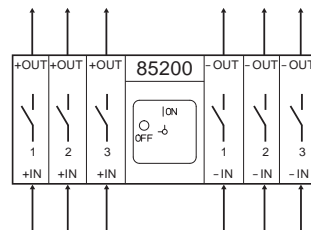
**Terminal capacities**  
solid multiwire  
min max min max

**Voltage range DC21-B**  
250V 450V 650V 800V 1000V

**Advanced arc reduction system**

D241-85200-026V1	1,00	10,00	0,75	6,00		32A	20A
D242-85200-026V1	4,00	16,00	2,50	10,00		50A	20A

**3 strings**



**SMD modules for basic switch modules**

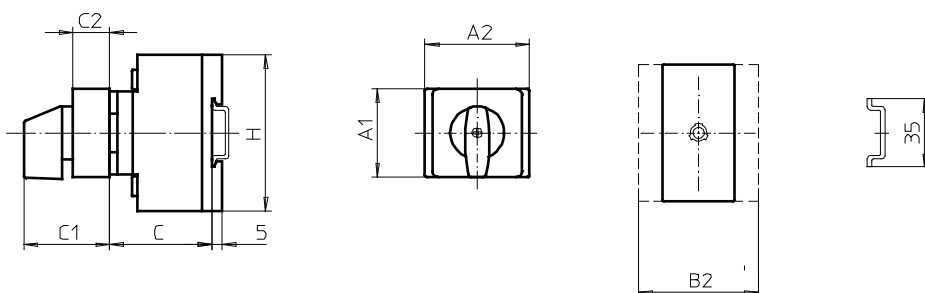
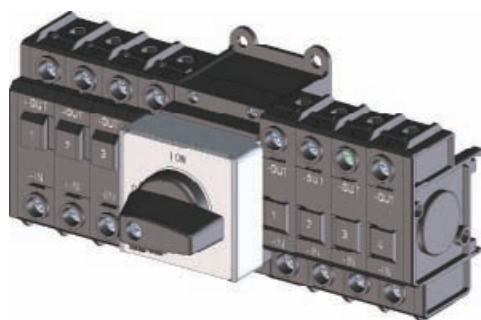
Mounting form module for 026V1	D200	<b>BFG2 - 026V1</b>
Legend plate silver, mounting form 026V1	D200	<b>FAV2 - 9... (FA number)</b>

**Dimensions (mm)**

<b>Product line</b>	<b>A1</b>	<b>A2</b>	<b>B2</b>	<b>C</b>	<b>C1</b>	<b>C2</b>	<b>H</b>
D200-DC – 3 strings	45	48	135	42	42	15,5	80

# Base Mounting Switches

**sälzer**



**Product line D200**

**Base mounting switch**

**Base/  
front mounting**

**DIN rail**  
with cover plate  
45 mm aperture

**026M1**

**Complete switch**  
Order code number

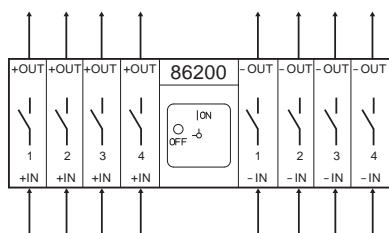
**Terminal capacities**  
solid multiwire  
min max min max

**Voltage range DC21-B**  
250V 450V 650V 800V 1000V

**Standard arc reduction system**

D211-86200-026M1	1,00	10,00	0,75	6,00	20A	16A	10A
D221-86200-026M1	1,00	10,00	0,75	6,00		32A	20A
D222-86200-026M1	4,00	16,00	2,50	10,00	50A	40A	32A

**4 strings**



**SMD modules for basic switch modules**

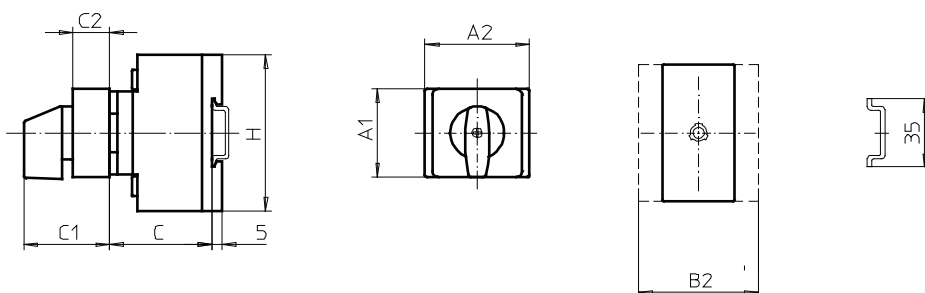
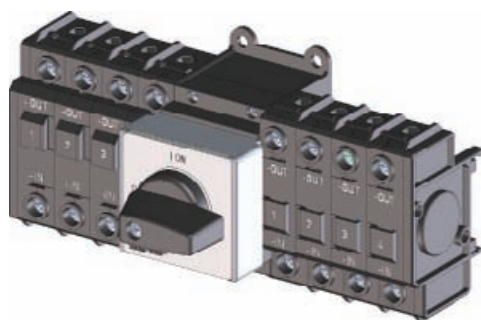
Mounting form module for 026M1	D200	<b>BFG2 - 026M1</b>
Legend plate silver, mounting form 026M1	D200	<b>FAV2 - 9... (FA number)</b>

**Dimensions (mm)**

Product line	A1	A2	B2	C	C1	C2	H
D200-DC – 4 strings	45	48	164	42	42	15,5	80

# Base Mounting Switches

# sälzer



**Product line D200**

**Base mounting switch**

**Base/  
front mounting**

**DIN rail**  
with cover plate  
45 mm aperture

**026M1**

**Complete switch**  
Order code number

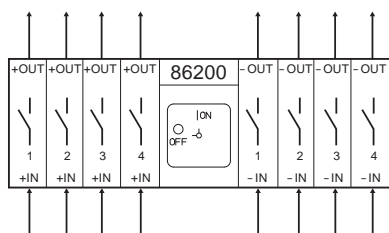
**Terminal capacities**  
solid multiwire  
min max min max

**Voltage range DC21-B**  
250V 450V 650V 800V 1000V

**Advanced arc reduction system**

D241-86200-026M1	1,00	10,00	0,75	6,00		32A	20A
D242-86200-026M1	4,00	16,00	2,50	10,00		50A	20A

**4 strings**



**SMD modules for basic switch modules**

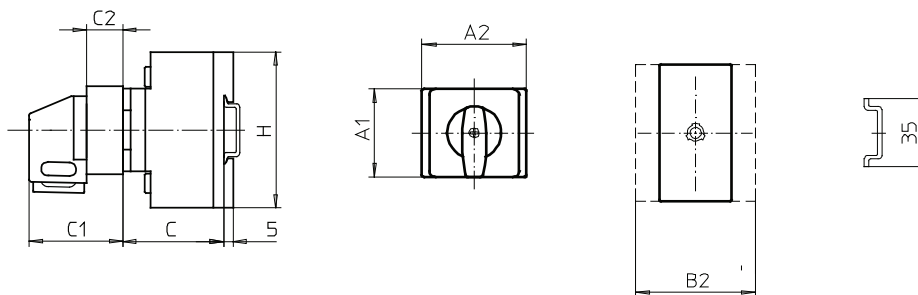
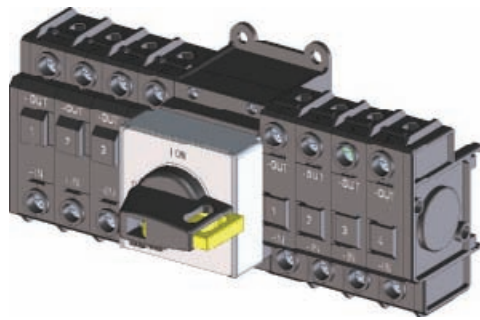
Mounting form module for 026M1	D200	<b>BFG2 - 026M1</b>
Legend plate silver, mounting form 026M1	D200	<b>FAV2 - 9... (FA number)</b>

**Dimensions (mm)**

<b>Product line</b>	<b>A1</b>	<b>A2</b>	<b>B2</b>	<b>C</b>	<b>C1</b>	<b>C2</b>	<b>H</b>
D200-DC – 4 strings	45	48	164	42	42	15,5	80

# Base Mounting Switches

**sälzer**



**Product line D200**

**Base mounting switch**

**Base/  
front mounting**

**DIN rail**  
with cover plate  
45 mm aperture

**026V1**

**Complete switch**  
Order code number

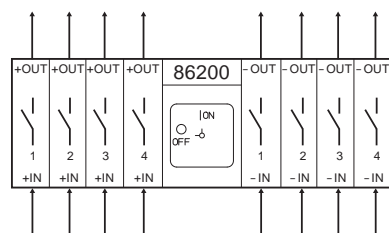
**Terminal capacities**  
solid multiwire  
min max min max

**Voltage range DC21-B**  
250V 450V 650V 800V 1000V

**Standard arc reduction system**

D211-86200-026V1	1,00	10,00	0,75	6,00	20A	16A	10A
D221-86200-026V1	1,00	10,00	0,75	6,00		32A	20A
D222-86200-026V1	4,00	16,00	2,50	10,00	50A	40A	32A

**4 strings**



**SMD modules for basic switch modules**

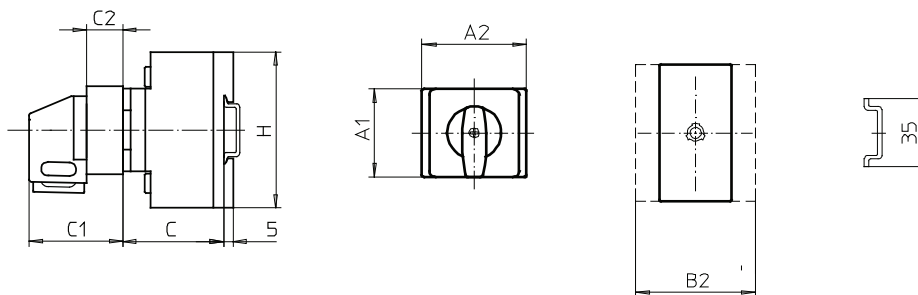
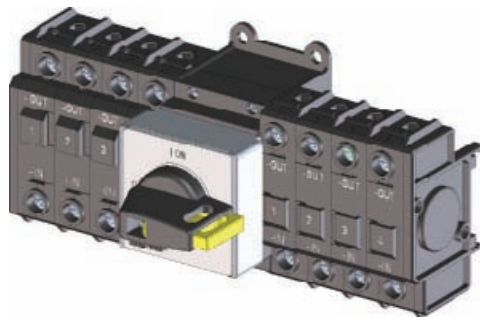
Mounting form module for 026V1	D200	<b>BFG2 - 026V1</b>
Legend plate silver, mounting form 026V1	D200	<b>FAV2 - 9... (FA number)</b>

**Dimensions (mm)**

Product line	A1	A2	B2	C	C1	C2	H
D200-DC – 4 strings	45	48	164	42	42	15,5	80

# Base Mounting Switches

**sälzer**



**Product line D200**

**Base mounting switch**

**Base/  
front mounting**

**DIN rail**  
with cover plate  
45 mm aperture

**026V1**

**Complete switch**  
Order code number

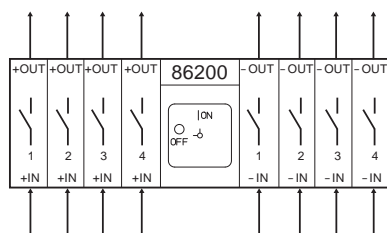
**Terminal capacities**  
solid multiwire  
min max min max

**Voltage range DC21-B**  
250V 450V 650V 800V 1000V

**Advanced arc reduction system**

D241-86200-026V1	1,00	10,00	0,75	6,00		32A	20A
D242-86200-026V1	4,00	16,00	2,50	10,00		50A	20A

**4 strings**



**SMD modules for basic switch modules**

Mounting form module for 026V1	D200	<b>BFG2 - 026V1</b>
Legend plate silver, mounting form 026V1	D200	<b>FAV2 - 9... (FA number)</b>

**Dimensions (mm)**

<b>Product line</b>	<b>A1</b>	<b>A2</b>	<b>B2</b>	<b>C</b>	<b>C1</b>	<b>C2</b>	<b>H</b>
D200-DC – 4 strings	45	48	164	42	42	15,5	80





## Section C

**Four hole mounting 36 × 36 mm**

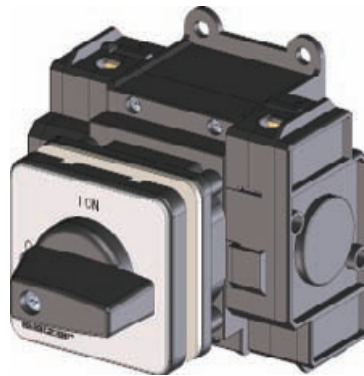
Page	
from	to
<b>C1-1</b>	<b>C1-8</b>

---

**Originator: Sälzer Electric GmbH · Product Data Management (PDM) · 09306 Rochlitz (Germany)**  
Copyright reserved by Sälzer Electric GmbH. This document replaces all previous issues.  
Valid until a new version is published. Changes and revisions reserved.

# Front Mounting Switches

**sälzer**

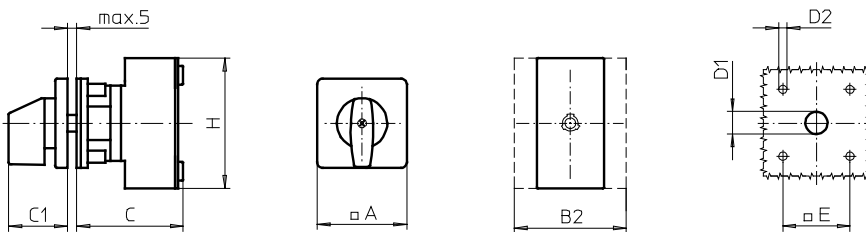


**Product line D200**

**Base mounting switch**

**Four hole mounting  
36 x 36 mm**

**003M1 (IP66)**



**Complete switch  
Order code number**

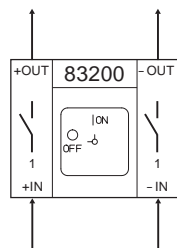
**Terminal capacities**  
solid multiwire  
min max min max

**Voltage range DC21-B**  
250V 450V 650V 800V 1000V

**Standard arc reduction system**

Order code number	solid min	solid max	multiwire min	multiwire max	250V	450V	650V	800V	1000V
D211-83200-003M1	1,00	10,00	0,75	6,00	20A	16A	10A		
D221-83200-003M1	1,00	10,00	0,75	6,00		32A	20A		
D222-83200-003M1	4,00	16,00	2,50	10,00	50A	40A	32A		

**1 string**



**SMD modules for basic switch modules**

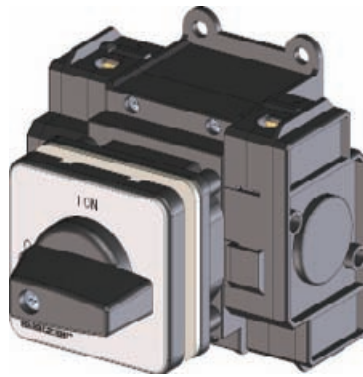
Mounting form module for 003M1	D200	<b>BFB2 - 003</b>
Operator module		<b>2AM1</b>
Legend plate silver, mounting form 003M1		<b>FAS2 - 9... (FA number)</b>

**Dimensions (mm)**

Product line	A	B2	C	C1	D1	D2	E	H
D200-DC – 1 string	48	77	61	32	12	4,5	36	80

# Front Mounting Switches

# sälzer

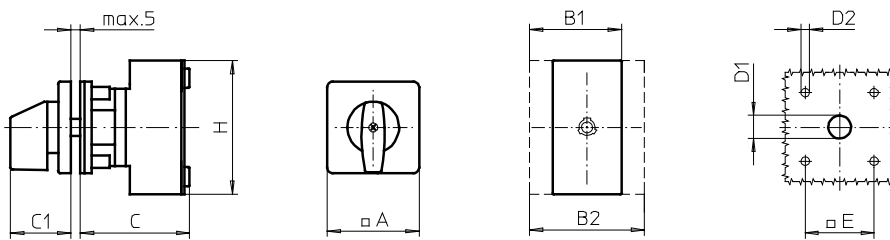


**Product line D200**

**Base mounting switch**

**Four hole mounting  
36 x 36 mm**

**003M1 (IP66)**



**Complete switch  
Order code number**

**Terminal capacities**  
solid multiwire  
min max min max

**Voltage range DC21-B**  
250V 450V 650V 800V 1000V

**Advanced arc reduction system**

D241-83200-003M1	1,00	10,00	0,75	6,00			32A	20A
D242-83200-003M1	4,00	16,00	2,50	10,00			50A	20A
D241-83300-003M1	1,00	10,00	0,75	6,00			32A	32A
D242-83300-003M1	4,00	16,00	2,50	10,00			50A	50A

**1 string**



**SMD modules for basic switch modules**

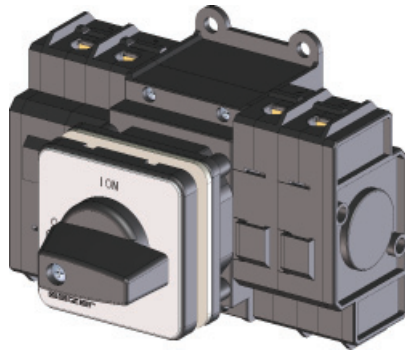
Mounting form module for 003M1	D200	<b>BFB2 - 003</b>
Operator module		<b>2AM1</b>
Legend plate silver, mounting form 003M1		<b>FAS2 - 9... (FA number)</b>

**Dimensions (mm)**

Product line	A	B1	B2	C	C1	D1	D2	E	H
D200-DC – 1 string (83200)	48	–	77	61	32	12	4,5	36	80
D200-DC – 1 string (83300)	48	53	92	61	32	12	4,5	36	80

# Front Mounting Switches

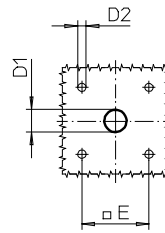
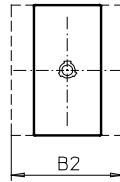
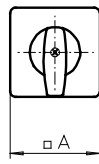
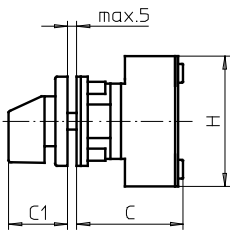
**sälzer**



**Product line D200**

**Base mounting switch**

**Four hole mounting  
36 x 36 mm**



**003M1 (IP66)**

**Complete switch  
Order code number**

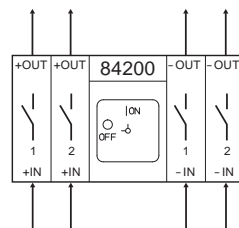
**Terminal capacities**  
solid multiwire  
min max min max

**Voltage range DC21-B**  
250V 450V 650V 800V 1000V

**Standard arc reduction system**

Order code number	solid min	solid max	multiwire min	multiwire max	250V	450V	650V	800V	1000V
D211-84200-003M1	1,00	10,00	0,75	6,00	20A	16A	10A		
D221-84200-003M1	1,00	10,00	0,75	6,00		32A	20A		
D222-84200-003M1	4,00	16,00	2,50	10,00	50A	40A	32A		

**2 strings**



**SMD modules for basic switch modules**

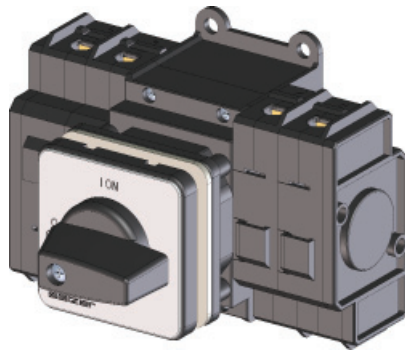
Mounting form module for 003M1	D200	<b>BFB2 - 003</b>
Operator module		<b>2AM1</b>
Legend plate silver, mounting form 003M1		<b>FAS2 - 9... (FA number)</b>

**Dimensions (mm)**

Product line	A	B2	C	C1	D1	D2	E	H
D200-DC – 2 strings	48	106	61	32	12	4,5	36	80

# Front Mounting Switches

**sälzer**

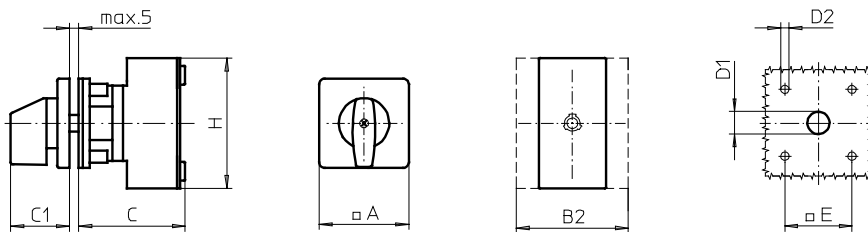


**Product line D200**

**Base mounting switch**

**Four hole mounting  
36 x 36 mm**

**003M1 (IP66)**



**Complete switch  
Order code number**

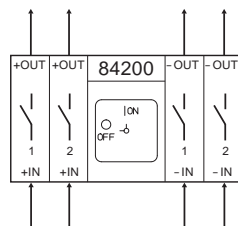
**Terminal capacities**  
solid multiwire  
min max min max

**Voltage range DC21-B**  
250V 450V 650V 800V 1000V

**Advanced arc reduction system**

D241-84200-003M1	1,00	10,00	0,75	6,00			32A	20A
D242-84200-003M1	4,00	16,00	2,50	10,00			50A	20A

**2 strings**



**SMD modules for basic switch modules**

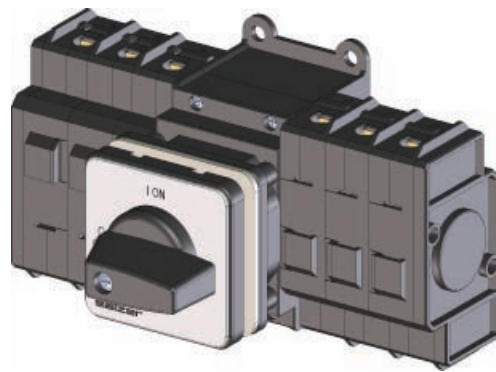
Mounting form module for 003M1	D200	<b>BFB2 - 003</b>
Operator module		<b>2AM1</b>
Legend plate silver, mounting form 003M1		<b>FAS2 - 9... (FA number)</b>

**Dimensions (mm)**

<b>Product line</b>	<b>A</b>	<b>B2</b>	<b>C</b>	<b>C1</b>	<b>D1</b>	<b>D2</b>	<b>E</b>	<b>H</b>
D200-DC – 2 strings	48	106	61	32	12	4,5	36	80

# Front Mounting Switches

# sälzer

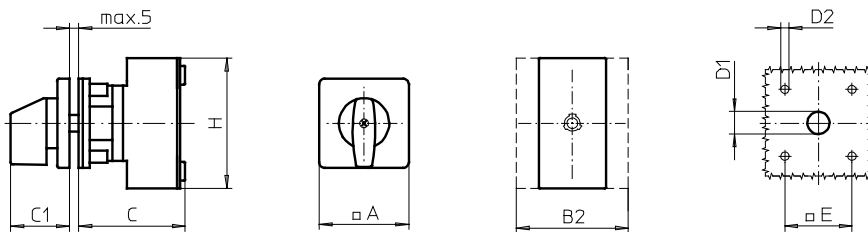


**Product line D200**

**Base mounting switch**

**Four hole mounting  
36 x 36 mm**

**003M1 (IP66)**



**Complete switch  
Order code number**

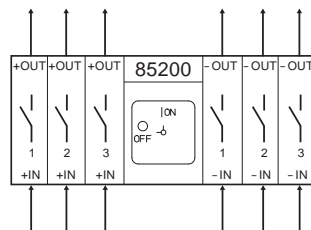
**Terminal capacities**  
solid multiwire  
min max min max

**Voltage range DC21-B**  
250V 450V 650V 800V 1000V

**Standard arc reduction system**

D211-85200-003M1	1,00	10,00	0,75	6,00	20A	16A	10A
D221-85200-003M1	1,00	10,00	0,75	6,00		32A	20A
D222-85200-003M1	4,00	16,00	2,50	10,00	50A	40A	32A

**3 strings**



**SMD modules for basic switch modules**

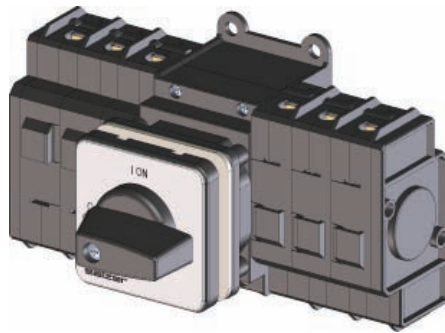
Mounting form module for 003M1	D200	<b>BFB2 - 003</b>
Operator module		<b>2AM1</b>
Legend plate silver, mounting form 003M1		<b>FAS2 - 9... (FA number)</b>

**Dimensions (mm)**

<b>Product line</b>	<b>A</b>	<b>B2</b>	<b>C</b>	<b>C1</b>	<b>D1</b>	<b>D2</b>	<b>E</b>	<b>H</b>
D200-DC – 3 strings	48	135	61	32	12	4,5	36	80

# Front Mounting Switches

**sälzer**

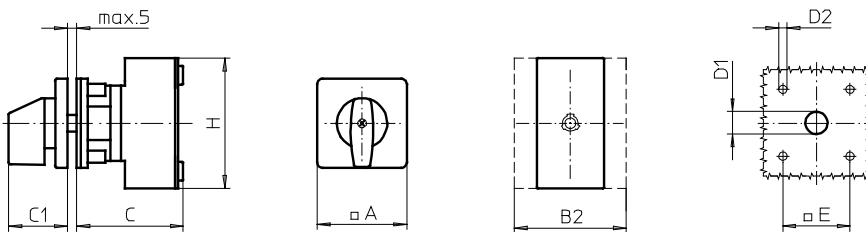


**Product line D200**

**Base mounting switch**

**Four hole mounting  
36 x 36 mm**

**003M1 (IP66)**



**Complete switch  
Order code number**

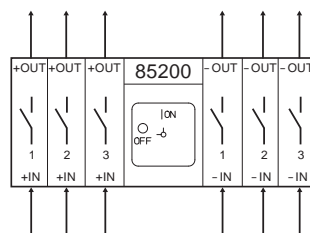
**Terminal capacities**  
solid multiwire  
min max min max

**Voltage range DC21-B**  
250V 450V 650V 800V 1000V

**Advanced arc reduction system**

D241-85200-003M1	1,00	10,00	0,75	6,00			32A	20A
D242-85200-003M1	4,00	16,00	2,50	10,00			50A	20A

**3 strings**



**SMD modules for basic switch modules**

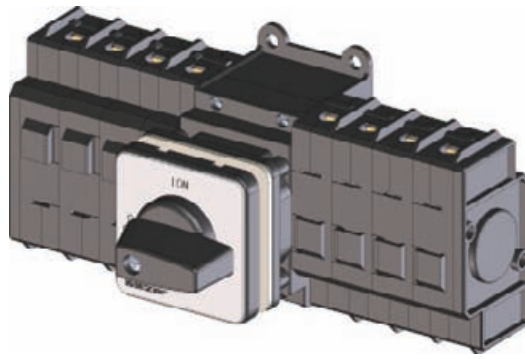
Mounting form module for 003M1	D200	<b>BFB2 - 003</b>
Operator module		<b>2AM1</b>
Legend plate silver, mounting form 003M1		<b>FAS2 - 9... (FA number)</b>

**Dimensions (mm)**

<b>Product line</b>	<b>A</b>	<b>B2</b>	<b>C</b>	<b>C1</b>	<b>D1</b>	<b>D2</b>	<b>E</b>	<b>H</b>
D200-DC – 3 strings	48	135	61	32	12	4,5	36	80

# Front Mounting Switches

# sälzer

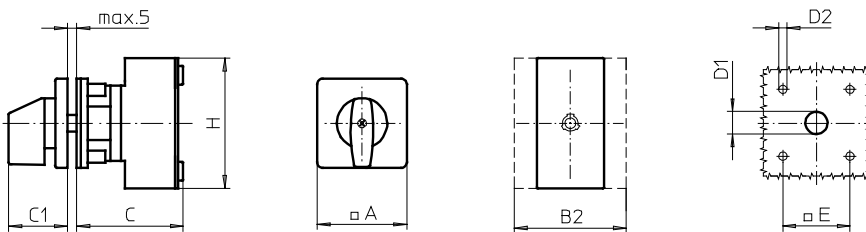


Product line D200

Base mounting switch

Four hole mounting  
36 x 36 mm

**003M1 (IP66)**



Complete switch  
Order code number

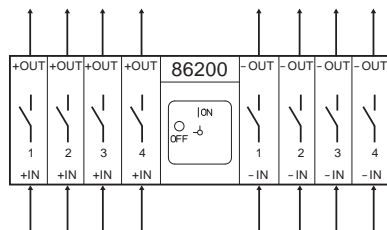
Terminal capacities  
solid multiwire  
min max min max

Voltage range DC21-B  
250V 450V 650V 800V 1000V

### Standard arc reduction system

Order code number	solid min	solid max	multiwire min	multiwire max	250V	450V	650V	800V	1000V
D211-86200-003M1	1,00	10,00	0,75	6,00	20A	16A	10A		
D221-86200-003M1	1,00	10,00	0,75	6,00		32A	20A		
D222-86200-003M1	4,00	16,00	2,50	10,00	50A	40A	32A		

### 4 strings



### SMD modules for basic switch modules

Mounting form module for 003M1	D200	BFB2 - 003
Operator module		2AM1
Legend plate silver, mounting form 003M1		FAS2 - 9... (FA number)

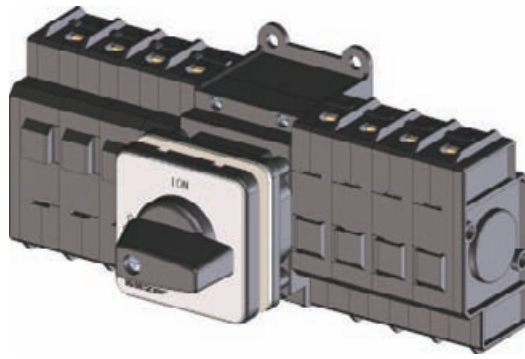
### Dimensions (mm)

Product line	A	B2	C	C1	D1	D2	E	H
D200-DC – 4 strings	48	164	61	32	12	4,5	36	80



# Front Mounting Switches

**sälzer**

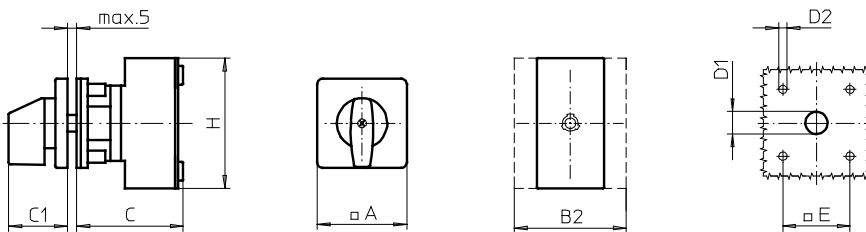


**Product line D200**

**Base mounting switch**

**Four hole mounting  
36 × 36 mm**

**003M1 (IP66)**



**Complete switch  
Order code number**

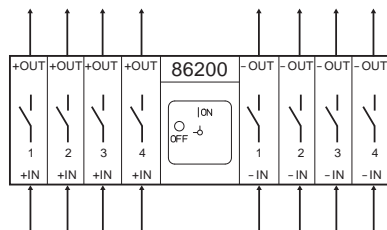
**Terminal capacities**  
solid multiwire  
min max min max

**Voltage range DC21-B**  
250V 450V 650V 800V 1000V

**Advanced arc reduction system**

D241-86200-003M1	1,00	10,00	0,75	6,00			32A	20A
D242-86200-003M1	4,00	16,00	2,50	10,00			50A	20A

**4 strings**



**SMD modules for basic switch modules**

Mounting form module for 003M1	D200	<b>BFB2 - 003</b>
Operator module		<b>2AM1</b>
Legend plate silver, mounting form 003M1		<b>FAS2 - 9... (FA number)</b>

**Dimensions (mm)**

<b>Product line</b>	<b>A</b>	<b>B2</b>	<b>C</b>	<b>C1</b>	<b>D1</b>	<b>D2</b>	<b>E</b>	<b>H</b>
D200-DC – 4 strings	48	164	61	32	12	4,5	36	80



## Faster deliveries through SMD

In order to ensure even greater flexibility for worldwide supply availability within 24h, Sälzer Electric has introduced the SMD (Sälzer Modular Design) system.

SMD modules are individually prefabricated and tested all-in-one modules which SMD Service holds in stock in sufficient quantities. From basic switch modules, mounting form modules and operator modules, SMD Service can assemble a complete switch requested by the customer and pack it ready for delivery in just a few actions.

– **back** –